

**TECH
BOOK**
TWO
THOUS
AND
19

DT SWISS

WHEELS ROAD AERO

Model	Rim						Hub						Spoke					Technical data										
	Built-in width [mm]	Rim dimension	Rim inner width [mm]	Rim outer width [mm]	Rim height [mm]	Material Carbon	Material Aluminum	Axle system						Free wheel	Free hub body	Disc mount	No. of spokes	Head shape	Type Left	Type Right	Length Left [mm]	Length Right [mm]	Lacing	ASTM classification	Axle clamping force (min./max.) 4000N / 8000N	Recommended system weight max. [kg]		
ARC 1100 DICUT® db 80	100	622 x 17	17	28	80	●	○	●											24	T	DT aerolite®	DT aerolite®	240	244	2-cross	1	●	110
	142	622 x 17	17	28	80	●					●	○	○	●	●					24	T	DT aerolite®	DT aero comp®	244	240	2-cross	1	●
ARC 1100 DICUT® 80	100	622 x 17	17	28	80	●	●												16	T	DT aerolite®	DT aerolite®	233	233	radial	1	●	100
	130	622 x 17	17	28	80	●		●												21	T	DT aero comp®	DT aerolite®	233	238	radial / 2-cross	1	●
ARC 1100 DICUT® db 62	100	622 x 17	17	27	62.5	●	○	●											24	T	DT aerolite®	DT aerolite®	258	261	2-cross	1	●	110
	142	622 x 17	17	27	62.5	●					●	○	○	●	●					24	T	DT aerolite®	DT aero comp®	260	258	2-cross	1	●
ARC 1100 DICUT® 62	100	622 x 17	17	27	62.5	●	●												16	T	DT aerolite®	DT aerolite®	250	250	radial	1	●	100
	130	622 x 17	17	27	62.5	●					●				●					21	T	DT aero comp®	DT aero comp®	250	256	radial / 2-cross	1	●
ARC 1100 DICUT® db 48	100	622 x 17	17	25	48.5	●	○	●											24	T	DT aerolite®	DT aerolite®	271	275	2-cross	1	●	110
	142	622 x 17	17	25	48.5	●					●	○	○	●	●					24	T	DT aerolite®	DT aero comp®	274	271	2-cross	1	●
ARC 1100 DICUT® 48	100	622 x 17	17	25	48.5	●	●												20	T	DT aerolite®	DT aerolite®	264	264	radial	1	●	100
	130	622 x 17	17	25	48.5	●					●				●					24	T	DT aero comp®	DT aerolite®	265	273	radial / 2-cross	1	●
ARC 1400 DICUT® db 80	100	622 x 17	17	28	80	●	○	●											24	T	DT aero comp®	DT aero comp®	240	244	2-cross	1	●	110
	142	622 x 17	17	28	80	●					●	○	○	●	●					24	T	DT aero comp®	DT aero comp®	244	240	2-cross	1	●
ARC 1400 DICUT® 80	100	622 x 17	17	28	80	●	●												16	T	DT aero comp®	DT aero comp®	233	233	radial	1	●	100
	130	622 x 17	17	28	80	●					●				●					21	T	DT aero comp®	DT aero comp®	233	238	radial / 2-cross	1	●
ARC 1400 DICUT® db 62	100	622 x 17	17	27	62.5	●	○	●											24	T	DT aero comp®	DT aero comp®	258	261	2-cross	1	●	110
	142	622 x 17	17	27	62.5	●					●	○	○	●	●					24	T	DT aero comp®	DT aero comp®	260	258	2-cross	1	●
ARC 1400 DICUT® 62	100	622 x 17	17	27	62.5	●	●												16	T	DT aero comp®	DT aero comp®	250	250	radial	1	●	100
	130	622 x 17	17	27	62.5	●					●				●					21	T	DT aero comp®	DT aero comp®	250	256	radial / 2-cross	1	●
ARC 1400 DICUT® db 48	100	622 x 17	17	25	48.5	●	○	●											24	T	DT aero comp®	DT aero comp®	271	275	2-cross	1	●	110
	142	622 x 17	17	25	48.5	●					●	○	○	●	●					24	T	DT aero comp®	DT aero comp®	274	271	2-cross	1	●
ARC 1400 DICUT® 48	100	622 x 17	17	25	48.5	●	●												20	T	DT aero comp®	DT aero comp®	264	264	radial	1	●	100
	130	622 x 17	17	25	48.5	●					●				●					24	T	DT aero comp®	DT aero comp®	265	273	radial / 2-cross	1	●

Head shape:
 T = T-Head
 S = Straightpull
 J = J-Bend

● = Standard
 ○ = Convertible with included accessories
 ○ = Option, sold separately

WHEELS ROAD PERFORMANCE

Model	Rim					Hub										Spoke				Technical data						
	Built-in width [mm]	Rim dimension	Rim inner width [mm]	Rim outer width [mm]	Rim height [mm]	Material Carbon	Material Aluminum	Axle system					Free wheel	Free hub body		Disc mount	No. of spokes	Head shape	Type Left	Type Right	Length Left [mm]	Length Right [mm]	Lacing	ASTM classification	Axle clamping force (min./max.) 4000N / 8000N	Recommended system weight max. [kg]
PRC 1100 DICUT® 35	100	622 x 18	18	24.8	35	●	●										24	T	DT aerolite®	DT aerolite®	283	283	2-cross	1	●	100
Mon Chasseral	130	622 x 18	18	24.8	35	●											24	T	DT aero comp®	DT aerolite®	284	286	2-cross	1	●	100
PRC 1100 DICUT® db 35	100	622 x 18	18	24.8	35	●	○	○	●								24	T	DT aerolite®	DT aerolite®	285	289	2-cross	1	●	110
	142	622 x 18	18	24.8	35	●											24	T	DT aero comp®	DT aero comp®	288	285	2-cross	1	●	110
PRC 1100 DICUT® 35	100	622 x 18	18	24.8	35	●	●										20	T	DT aerolite®	DT aerolite®	277	277	radial	1	●	100
	130	622 x 18	18	24.8	35	●											24	T	DT aero comp®	DT aerolite®	278	286	2-cross	1	●	100
PRC 1400 SPLINE® db 65	100	622 x 18	18	24.8	65	●	○	○	●	○							24	S	DT aerolite®	DT aerolite®	264	266	2-cross	1	●	110
	142	622 x 18	18	24.8	65	●											24	S	DT aerolite®	DT aero comp®	266	262	2-cross	1	●	110
PRC 1400 SPLINE® 65	100	622 x 18	18	24.8	65	●	●										20	S	DT aerolite®	DT aerolite®	253	253	radial	1	●	100
	130	622 x 18	18	24.8	65	●											24	S	DT aerolite®	DT aero comp®	265	261	2-cross	1	●	100
PRC 1400 SPLINE® db 35	100	622 x 18	18	24.8	35	●	○	○	●	○							24	S	DT aerolite®	DT aerolite®	293	295	2-cross	1	●	110
	142	622 x 18	18	24.8	35	●											24	S	DT aero comp®	DT aero comp®	295	291	2-cross	1	●	110
PRC 1400 SPLINE® 35	100	622 x 18	18	24.8	35	●	●										20	S	DT aerolite®	DT aerolite®	282	282	radial	1	●	100
	130	622 x 18	18	24.8	35	●											24	S	DT aero comp®	DT aero comp®	295	290	2-cross	1	●	100
PR 1400 DICUT® OXiC 21	100	622 x 18	18	21.5	21	●	●										20	T	DT aero comp®	DT aero comp®	284	284	radial	1	●	120
	130	622 x 18	18	21.5	21	●											24	T	DT aero comp®	DT aero comp®	286	279	1-cross	1	●	120
	130	622 x 18	18	21.5	21	●											24	T	DT aero comp®	DT aero comp®	292	288	2-cross	1	●	120
PR 1400 DICUT® OXiC 32	100	622 x 18	18	21.5	32	●	●										20	T	DT aero comp®	DT aero comp®	273	273	radial	2	●	130
	130	622 x 18	18	21.5	32	●											24	T	DT aero comp®	DT aero comp®	274	278	1-cross	2	●	130
	130	622 x 18	18	21.5	32	●											24	T	DT aero comp®	DT aero comp®	281	278	2-cross	2	●	130

Head shape:
 T = T-Head
 S = Straightpull
 J = J-Bend

● = Standard
 ○ = Convertible
 with included accessories
 ○ = Option, sold separately

WHEELS ROAD PERFORMANCE

Model	Rim					Hub										Spoke					Technical data															
						Axle system					Free wheel	Free hub body			Disc mount																					
Product name	Built-in width [mm]	Rim dimension	Rim inner width [mm]	Rim outer width [mm]	Rim height [mm]	Material Carbon	Material Aluminum	5/100 mm RWS / Quick release	9/100 mm Thru bolt	12/100 mm RWS Road	15/100 mm Thru axle	5/130 mm RWS / Quick release	5/135 mm RWS / Quick release	10/135 mm Thru bolt	12/135 mm Thru axle	12/142 mm Thru axle	Bolt on 100 mm FW / 120 mm RW	DT Swiss Ratchet System	Pawl system	Shimano Road 9 /10 and Sram Road 9 /10	Shimano Road 11	Campagnolo 9/10/11	Sram XDR	Track	Center Lock	IS (6-bolt)	No. of spokes	Head shape	Type Left	Type Right	Length Left [mm]	Length Right [mm]	Lacing	ASTM classification	Axle clamping force (min./max.) 4000N / 8000N	Recommended system weight max. [kg]
PR 1400 DICUT® db 21	100	622 x 18	18	22	21	●	○	○	●	○																	24	T	DT aerolite®	DT aerolite®	289	295	2-cross	1 ●	120	
	142	622 x 18	18	22	21	●						○	○	○	●						●	○	○					24	T	DT aero comp®	DT aero comp®	290	289	2-cross	1 ●	120
PR 1400 DICUT® 21	100	622 x 18	18	21.5	21	●	●																				20	T	DT aerolite®	DT aerolite®	284	284	radial	1 ●	120	
	130	622 x 18	18	21.5	21	●					●										●	○	○					24	T	DT aerolite®	DT aero comp®	286	279	1-cross	1 ●	120
	130	622 x 18	18	21.5	21	●					●										●	○	○					24	T	DT aerolite®	DT aero comp®	292	288	2-cross	1 ●	120
PR 1600 DICUT® db 21	100	622 x 18	18	22	21	●	○	○	●	○															●			24	T	DT aerolite®	DT aerolite®	289	295	2-cross	1 ●	120
	142	622 x 18	18	22	21	●						○	○	○	●						●	○	○		●			24	T	DT aero comp®	DT aero comp®	290	289	2-cross	1 ●	120
PR 1600 DICUT® 21	100	622 x 18	18	21.5	21	●	●																					20	T	DT aerolite®	DT aerolite®	284	284	radial	1 ●	120
	130	622 x 18	18	21.5	21	●					●										●	○	○					24	T	DT aerolite®	DT aero comp®	286	279	1-cross	1 ●	120
	130	622 x 18	18	21.5	21	●					●										●	○	○					24	T	DT aerolite®	DT aero comp®	292	288	2-cross	1 ●	120
PR 1600 SPLINE® db 23	100	622 x 18	18	22	23	●	○	○	●	○															●			24	S	DT aero comp®	DT aero comp®	296	298	2-cross	1 ●	120
	142	622 x 18	18	22	23	●						○	○	○	●						●	○	○		●			24	S	DT aero comp®	DT new aero®	298	294	2-cross	1 ●	120
PR 1600 SPLINE® 23	100	622 x 18	18	23	23	●	●																					20	T	DT aero comp®	DT aero comp®	288	288	radial	1 ●	120
	130	622 x 18	18	23	23	●					●										●	○	○					24	S	DT aero comp®	DT new aero®	297	295	2-cross	1 ●	120
PR 1600 SPLINE® db 32	100	622 x 18	18	21	32	●	○	○	●	○														●				24	S	DT aero comp®	DT aero comp®	288	290	2-cross	2 ●	130
	142	622 x 18	18	21	32	●						○	○	○	●						●	○	○		●			24	S	DT aero comp®	DT new aero®	289	285	2-cross	2 ●	130
PR 1600 SPLINE® 32	100	622 x 18	18	21.5	32	●	●																					20	T	DT aero comp®	DT aero comp®	279	279	radial	2 ●	130
	130	622 x 18	18	21.5	32	●					●										●	○	○					24	S	DT aero comp®	DT new aero®	289	287	2-cross	2 ●	130
P 1800 SPLINE® db 23	100	622 x 18	18	22	23	●	○	○	●	○															●			24	S	DT new aero®	DT aero comp®	296	297	2-cross	1 ●	120
	142	622 x 18	18	22	23	●						○	○	○	●						●	●	○	○	●			24	S	DT aero comp®	DT new aero®	297	296	2-cross	1 ●	120
P 1800 SPLINE® 23	100	622 x 18	18	23	23	●	●																					20	S	DT aero comp®	DT aero comp®	288	288	radial	1 ●	120
	130	622 x 18	18	23	23	●					●										●	●	○	○				24	S	DT aero comp®	DT new aero®	297	295	2-cross	1 ●	120
P 1800 SPLINE® db 32	100	622 x 18	18	21	32	●	○	○	●	○															●			24	S	DT new aero®	DT aero comp®	289	290	2-cross	2 ●	130
	142	622 x 18	18	21	32	●						○	○	○	●						●	●	○	○	●			24	S	DT aero comp®	DT new aero®	289	288	2-cross	2 ●	130

Head shape:
 T = T-Head
 S = Straightpull
 J = J-Bend

● = Standard
 ○ = Convertible
 with included accessories
 ○ = Option, sold separately

WHEELS ROAD ENDURANCE

Model	Rim							Hub						Spoke					Technical data																								
	Axle system		Free wheel	Free hub body			Disc mount	No. of spokes	Head shape	Type Left		Type Right		Length Left [mm]	Length Right [mm]	Lacing	ASTM classification	Axle clamping force (min. / max.) 4000N / 8000N	Recommended system weight max. [kg]																								
Product name	Built-in width [mm]	Rim dimension	Rim inner width [mm]	Rim outer width [mm]	Rim height [mm]	Material Carbon	Material Aluminum			5/100 mm RWS / Quick release	9/100 mm Thru bolt	12/100 mm RWS Road	15/100 mm Thru axle							5/130 mm RWS / Quick release	5/135 mm RWS / Quick release	10/135 mm Thru bolt	12/135 mm Thru axle	12/142 mm Thru axle	Bolt on 100 mm FW / 120 mm RW	DT Swiss Ratchet System	Pawl system	Shimano Road 9 /10 and Sram Road 9 /10	Shimano Road 11	Campegnolo 9/10/11	Sram XDR	Track	Center Lock	IS (6-bolt)	DT aerolite®	DT aerolite®	DT aerolite®	DT aero comp®	DT aerolite®	DT aerolite®	DT aero comp®	DT aero comp®	DT aerolite®
ERC 1100 DICUT® db 47	100	622 x 19	19	27	47	●		○	●																			24	T	DT aerolite®	DT aerolite®	273	277	2-cross	2	●	120						
	142	622 x 19	19	27	47	●							○	○	●						●								24	T	DT aerolite®	DT aerolite®	276	273	2-cross	2	●	120					
ERC 1400 SPLINE® db 47	100	622 x 19	19	27	47	●		○	●	●																		24	S	DT aerolite®	DT aerolite®	281	283	2-cross	2	●	120						
	142	622 x 19	19	27	47	●							○	○	●						●								24	S	DT aerolite®	DT aero comp®	283	279	2-cross	2	●	120					
ER 1400 DICUT® db 21	100	622 x 20	20	24	21	●	○	○	●	●																		24	T	DT aerolite®	DT aerolite®	289	295	2-cross	2	●	120						
	142	622 x 20	20	24	21	●							○	○	●						●								24	T	DT aero comp®	DT aero comp®	290	289	2-cross	2	●	120					
ER 1400 SPLINE® db 21	100	622 x 20	20	24	21	●	○	○	●	●																		24	S	DT aerolite®	DT aerolite®	298	299	2-cross	2	●	120						
	142	622 x 20	20	24	21	●							○	○	●						●								24	S	DT aero comp®	DT aero comp®	299	295	2-cross	2	●	120					
ER 1600 DICUT® db 21	100	622 x 20	20	24	21	●	○	○	●	●																		24	T	DT aerolite®	DT aerolite®	289	295	2-cross	2	●	120						
	142	622 x 20	20	24	21	●							○	○	●						●								24	T	DT aero comp®	DT aerolite®	290	289	2-cross	2	●	120					
ER 1600 SPLINE® db 23	100	622 x 20	20	24	23	●	○	○	●	●																		24	S	DT aero comp®	DT aero comp®	296	298	2-cross	2	●	120						
	142	622 x 20	20	24	23	●							○	○	●						●								24	S	DT aero comp®	DT new aero®	298	294	2-cross	2	●	120					
ER 1600 SPLINE® db 32	100	622 x 20	20	24	32	●	○	○	●	●																		24	S	DT aero comp®	DT aero comp®	288	290	2-cross	2	●	130						
	142	622 x 20	20	24	32	●							○	○	●						●								24	S	DT aero comp®	DT aero comp®	289	285	2-cross	2	●	130					
E 1800 SPLINE® db 23	100	622 x 20	20	24	23	●	○	○	●	●																		24	S	DT new aero®	DT aero comp®	296	297	2-cross	2	●	120						
	142	622 x 20	20	24	23	●							○	○	●						●								24	S	DT aero comp®	DT new aero®	297	296	2-cross	2	●	120					
E 1800 SPLINE® db 32	100	622 x 20	20	24	32	●	○	○	●	●																		24	S	DT new aero®	DT aero comp®	289	290	2-cross	2	●	130						
	142	622 x 20	20	24	32	●							○	○	●						●								24	S	DT aero comp®	DT new aero®	289	288	2-cross	2	●	130					

Head shape:
 T = T-Head
 S = Straightpull
 J = J-Bend

● = Standard
 ○ = Convertible
 with included accessories
 ○ = Option, sold separately

WHEELS ROAD CROSS ROAD

Model	Rim				Hub										Spoke				Technical data						
	Built-in width [mm]	Rim dimension	Rim inner width [mm]	Rim outer width [mm]	Rim height [mm]	Material Carbon	Material Aluminum	Axle system				Free wheel	Free hub body		Disc mount	No. of spokes	Head shape	Type Left	Type Right	Length Left [mm]	Length Right [mm]	Lacing	ASTM classification	Axle clamping force (min./max.) 4000N / 8000N	Recommended system weight max. [kg]
CRC 1100 SPLINE® db 38 T	100	633 x 20	26	26	38	●	○	○	●	○															
	142	633 x 20	26	26	38	●					○	○	○	●	●										
CRC 1400 SPLINE® db 24	100	622 x 22	22	28	24	●	○	○	●	○															
	142	622 x 22	22	28	24	●					○	○	○	●	●										
CR 1400 DICUT® db 25	100	622 x 22	22	26	25	●	○	○	●	○															
	142	622 x 22	22	26	25	●					○	○	○	●	●										
CR 1600 DICUT® db 25	100	622 x 22	22	26	25	●	○	○	●	○															
	142	622 x 22	22	26	25	●					○	○	○	●	●										
CR 1600 SPLINE® db 23	100	622 x 22	22	26	23	●	○	○	●	○															
	142	622 x 22	22	26	23	●					○	○	○	●	●										
C 1800 SPLINE® db 23	100	622 x 22	22	26	23	●	○	○	●	○															
	142	622 x 22	22	26	23	●					●														

Head shape:
 T = T-Head
 S = Straightpull
 J = J-Bend

● = Standard
 ○ = Convertible
 with included accessories
 ○ = Option, sold separately

WHEELS ROAD TRACK

Model	Rim						Hub							Spoke						Technical data															
	Built-in width [mm]	Rim dimension	Rim inner width [mm]	Rim outer width [mm]	Rim height [mm]	Material Carbon	Material Aluminum	5/100 mm RWS / Quick release	9/100 mm Thru bolt	12/100 mm RWS Road	15/100 mm Thru axle	5/130 mm RWS / Quick release	5/135 mm RWS / Quick release	10/135 mm Thru bolt	12/135 mm Thru axle	12/142 mm Thru axle	Bolt on 100 mm FW / 120 mm RW	DT Swiss Ratchet System	Pawl system	Shimano Road 9 /10 and Sram Road 9 /10	Shimano Road 11	Campagnolo 9 /10 /11	Sram XDR	Track	Center Lock	IS (6-bolt)	No. of spokes	Head shape	Type Left	Type Right	Length Left [mm]	Length Right [mm]	Lacing	ASTM classification	Axle clamping force (min./max.) 4000N / 8000N
TRC 1400 DICUT® 65	100	622 x 18	18	24.8	65	●											●									20	T	DT aerolite®	DT aerolite®	238	238	radial	1	●	110
	120	622 x 18	18	24.8	65	●											●									24	T	DT aerolite®	DT aerolite®	255	255	2-cross	1	●	110
TRC 1400 DICUT® 65 T	100	633 x 21	—	24.8	65	●											●									20	T	DT aerolite®	DT aerolite®	238	238	radial	1	●	110
	120	633 x 21	—	24.8	65	●											●									24	T	DT aerolite®	DT aerolite®	255	255	2-cross	1	●	110
T 1800 CLASSIC 32	100	622 x 18	18	21	32		●										●									20	J	DT aerolite®	DT aerolite®	260	260	radial	1	●	130
	120	622 x 18	18	21	32		●										●									24	J	DT aerolite®	DT aerolite®	277	277	2-cross	1	●	130

Head shape:
 T = T-Head
 S = Straightpull
 J = J-Bend

● = Standard

WHEELS MTB CROSS COUNTRY

Model	Rim						Hub										Spokes				Technical data									
							Axle system					Free wheel	Free hub body			Disc mount					No. of spokes	Type Left	Type Right	Length Left (mm)	Length Right (mm)	Lacing	ASTM classification	Axle clamping force (min./max.) 4000N / 8000N	Recommended system weight max. [kg]	
	5 / 100 mm RWS / Quick release	15 / 100 mm Thru axle	15 / 110 mm Thru axle PS ¹⁾	15 / 110 mm Thru axle Boost	15 / 150 mm Thru axle	20 / 110 mm Thru axle	20 / 110 mm Thru axle Boost	5 / 135 mm RWS / Quick release	12 / 142 mm Thru axle	12 / 148 mm Thru axle Boost	12 / 150 mm Thru axle	12 / 190 mm Thru axle	12 / 197 mm Thru axle	DT Swiss Ratchet System	Pawl system	Shimano MTB 9 / 10 / 11 and Sram MTB 9 / 10	Sram MTB XD 11 / 12	Shimano 12 MICRO SPLINE	Center Lock	IS (6-bolt)										
XRC 1200 SPLINE® 22.5 mm 27.5 29	100						○	●											●	○	24	DT aero comp®	DT aero comp®	275	276	2-cross	2	●	110	
	110							●										●	○											
	110	584 x 22.5	22.5	28	24	●												●	○											
	142										○	●				●*		○	●	○										
	148													●			○	●	○											
	110	100						○	●											●	○	28	DT aero comp®	DT aerolite®	300	300	3-cross	2	●	110
		110							●										●	○										
		110	622 x 22.5	22.5	28	24	●												●	○										
		142									○	●				●*		○	●	○										
		148																○	●	○										
XRC 1200 SPLINE® 25 mm 29	100						○	●											●	○	28	DT aerolite®	DT aerolite®	300	300	3-cross	2	●	110	
	110							●											●	○										
	110																	●	○											
	110	622 x 25	25	31	25	●												●	○											
	142									○	●				○		○	●	○											
	148															●*		○	●	○										
148																	○	○	●	○										

- = Standard
- = Convertible with included accessories
- = Option, sold seperately

¹⁾ Predictive Steering for RS-1

* 36T SL

WHEELS MTB CROSS COUNTRY

Model	Rim						Hub					Spokes				Technical data																																													
	Built-in width [mm]	Rim dimension	Rim inner width [mm]	Rim outer width [mm]	Rim height [mm]	Material Carbon	Axle system					Free wheel	Free hub body	Disc mount	No. of spokes	Type Left	Type Right	Length Left [mm]	Length Right [mm]	Lacing	ASTM classification	AXle clamping force (min./max.) 4000N / 8000N	Recommended system weight max. [kg]																																						
Product name						Material Aluminum	5 / 100 mm RWS / Quick release	15 / 100 mm Thru axle	15 / 110 mm Thru axle PS 1)	15 / 110 mm Thru axle Boost	15 / 150 mm Thru axle	20 / 110 mm Thru axle	20 / 110 mm Thru axle Boost	5 / 135 mm RWS / Quick release	12 / 142 mm Thru axle	12 / 148 mm Thru axle Boost	12 / 150 mm Thru axle	12 / 190 mm Thru axle	12 / 197 mm Thru axle	DT Swiss Ratchet System	Pawl system	Shimano MTB 9 / 10 / 11 and Sram MTB 9 / 10	Sram MTB XD 11 / 12	Shimano 12 MICRO SPLINE	Center Lock	IS (6-bolt)																																			
XR 1501 SPLINE® ONE 22.5 mm 27.5 29	100	584 x 22.5	22.5	26	18	•	○	●																													287	287	3-cross	2	●	110																			
	110							●																																				288	288																
	110								●																		●	○	●	○																288	288														
	142																	○	●							●*			○	●	○																288	287													
	148																				●							●	○	○	●	○															288	287													
	100	622 x 22.5	22.5	26	18	•	○	●																																	306	306	3-cross	2	●	110															
	110							●																																								306	306												
	110								●																																										307	307									
	142																	○	●							●*		●	○	○	●	○																				306	306								
	148																				●							●	○	○	●	○																				307	306								
XR 1501 SPLINE® ONE 25 mm 27.5 29	100	584 x 25	25	29	18	•	○	●																																		287	287	3-cross	2	●	110														
	110							●																																											288	287									
	110								●																																												288	288							
	142																	○	●							●*		●	○	○	●	○																								287	287				
	148																				●							●	○	○	●	○																						287	287						
	100	622 x 25	25	29	18	•	○	●																																							306	306	3-cross	2	●	110									
	110							●																																															306	306					
	110								●																																																306	306			
	142																	○	●							●*		●	○	○	●	○																												306	306
	148																				●							●	○	○	●	○																											306	306	
148															●							○	○	●	○	○																							306	306											

● = Standard
 ○ = Convertible with included accessories
 ○ = Option, sold separately

1) Predictive Steering for RS-1

* 36T SL

WHEELS MTB CROSS COUNTRY

Model	Rim		Hub							Spokes				Technical data																																			
			Axle system				Free wheel	Free hub body	Disc mount	No. of spokes	Type Left	Type Right	Length Left [mm]	Length Right [mm]	Lacing	ASTM classification	Axle clamping force (min./max.) 4000N / 8000N	Recommended system weight max. [kg]																															
Product name	Built-in width [mm]	Rim dimension	Rim inner width [mm]	Rim outer width [mm]	Rim height [mm]	Material Carbon	Material Aluminum	5 / 100 mm RWS / Quick release	15 / 100 mm Thru axle										15 / 110 mm Thru axle PS ¹⁾	15 / 110 mm Thru axle Boost	15 / 150 mm Thru axle	20 / 110 mm Thru axle	20 / 110 mm Thru axle Boost	5 / 135 mm RWS / Quick release	12 / 142 mm Thru axle	12 / 148 mm Thru axle Boost	12 / 150 mm Thru axle	12 / 190 mm Thru axle	12 / 197 mm Thru axle	DT Swiss Ratchet System	Pawl system	Shimano MTB 9 / 10 / 11 and Sram MTB 9 / 10	Sram MTB XD 11 / 12	Shimano 12 MICRO SPLINE	Center Lock	IS (6-bolt)													
X 1700 SPLINE® 22.5 mm 27.5 29	100	584 x 22.5	22.5	27	18.5	●	●	○	●														●	○	28	DT competition®	DT competition®	287	288	3-cross	2	●	110																
110	●																																		○	●	288	288											
110	●																																		○	●	287	288											
142	○																		○	●															○	●	288	285											
142	○																		○	●															○	●	288	285											
148	○																		○	●															○	●	288	285											
148	○												○	●								○	●	288	285																								
100	○	622 x 22.5	22.5	27	18.5	●	●	○	●														●	○	28	DT competition®	DT competition®	305	306	3-cross	2	●	110																
110	●																																		○	●	307	307											
110	●																																		○	●	306	307											
142	○																		○	●															○	●	307	304											
142	○																		○	●															○	●	307	304											
148	○																		○	●															○	●	307	304											
148	○												○	●								○	●	307	304																								

- = Standard
- = Convertible
with included accessories
- = Option, sold separately

¹⁾ Predictive Steering for RS-1

WHEELS MTB CROSS COUNTRY

Model	Rim				Hub								Spokes				Technical data														
	Built-in width [mm]	Rim dimension	Rim inner width [mm]	Rim outer width [mm]	Rim height [mm]	Material Carbon	Material Aluminum	Axle system				Free wheel	Free hub body	Disc mount	No. of spokes	Type Left	Type Right	Length Left [mm]	Length Right [mm]	Lacing	ASTM classification	Axle clamping force (min./max.) 4000N / 8000N	Recommended system weight max. [kg]								
X 1700 SPLINE® 25 mm 27.5 29	100	584 x 25	25	29	19.5	●	○	●																							
	110							●																							
	110								●																						
	142																														
	142														○	●															
	142														○	●															
	148																														
	148																														
	148																														
	100	622 x 25	25	29	19.5	●	○	●																							
	110							●																							
	110								●																						
	142																														
	142														○	●															
	142														○	●															
	146																														
	148																														
	148																														

● = Standard
 ◐ = Convertible with included accessories
 ○ = Option, sold separately

¹⁾ Predictive Steering for RS-1

WHEELS MTB ALL MOUNTAIN

Model	Rim					Hub										Spokes				Technical data																														
	Built-in width [mm]	Rim dimension	Rim inner width [mm]	Rim outer width [mm]	Rim height [mm]	Material Carbon	Material Aluminum	Axle system										Free wheel	Free hub body	Disc mount	No. of spokes	Type Left	Type Right	Length Left [mm]	Length Right [mm]	Lacing	ASTM classification	Axle clamping force (min./max.) 4000N / 8000N	Recommended system weight max. [kg]																					
XMC 1200 SPLINE® 30 mm 27.5 29	100	584 x 30	30	36	30	●		○	●														28	DT aerolite®	DT aerolite®	276	276	3-cross	3	●	120																			
	110									●																																								
	142																																																	
	148																																																	
	148																																																	
	100	622 x 30	30	36	30	●		○	●														28	DT aerolite®	DT aerolite®	295	295	3-cross	3	●	120																			
	110									●																																								
	142																																																	
	148																																																	
	148																																																	

● = Standard
 ● = Convertible with included accessories
 ○ = Option, sold separately
¹⁾ Predictive Steering for RS-1
 * 36T SL

WHEELS MTB ALL MOUNTAIN

Model	Rim			Hub									Spokes				Technical data																												
				Axle system									Free wheel	Free hub body		Disc mount	No. of spokes	Type Left	Type Right	Length Left [mm]	Length Right [mm]	Lacing	ASTM classification	Axle clamping force (min./max.) 4000N / 8000N	Recommended system weight max. [kg]																				
Product name	Built-in width [mm]	Rim dimension	Rim inner width [mm]	Rim outer width [mm]	Rim height [mm]	Material Carbon	Material Aluminum	5 / 100 mm RWS / Quick release	15 / 100 mm Thru axle	15 / 110 mm Thru axle PS ¹⁾	15 / 110 mm Thru axle Boost	15 / 150 mm Thru axle	20 / 110 mm Thru axle	20 / 110 mm Thru axle Boost	5 / 135 mm RWS / Quick release	12 / 142 mm Thru axle										12 / 148 mm Thru axle Boost	12 / 150 mm Thru axle	12 / 190 mm Thru axle	12 / 197 mm Thru axle	DT Swiss Ratchet System	Pawl system	Shimano MTB 9 / 10 / 11 and Sram MTB 9 / 10	Sram MTB XD 11 / 12	Shimano 12 MICRO SPLINE	Center Lock	IS (6-bolt)									
XM 1501 SPLINE® ONE 25 mm 27.5 29	100	584 x 25	25	30	20	●		○	●																																				
	110										●																																		
	142																				○	●							●	○		●	○		●	○									
	148																										●*			●	○		●	○		●	○								
	148																															●	○		●	○									
	100	622 x 25	25	30	20	●		○	●																																				
	110																																												
	142																				○	●							●	○		●	○		●	○									
	148																																												
	148																																●	○		●	○								
XM 1501 SPLINE® ONE 30 mm 27.5 29	100	584 x 30	30	35	21	●		○	●																																				
	110																																												
	142															●																													
	148																																												
	148																																												
	100	622 x 30	30	35	21	●		○	●																																				
	110																																												
	142																				○	●							●	○		●	○		●	○									
	148																																												
	148																																												

- = Standard
- = Convertible with included accessories
- = Option, sold separately
- ¹⁾ Predictive Steering for RS-1
- * 36T SL

WHEELS MTB ALL MOUNTAIN

Model	Rim					Hub											Spokes		Technical data													
	Product name	Built-in width [mm]	Rim dimension	Rim inner width [mm]	Rim outer width [mm]	Rim height [mm]	Material Carbon	Material Aluminum	Axle system								Free wheel	Free hub body	Disc mount	No. of spokes	Type Left	Type Right	Length Left [mm]	Length Right [mm]	Lacing	ASTM classification	Axle clamping force (min./max.) 4000N / 8000N	Recommended system weight max. [kg]				
XM 1501 SPLINE® ONE 35 mm 27.5	100	584 x 35	35	40	21	●		<input type="radio"/>	<input checked="" type="checkbox"/>															28	DT competition®	DT competition®	284	284	3-cross	3	●	120
	110								<input checked="" type="checkbox"/>													284	284									
	142								<input checked="" type="checkbox"/>				<input type="radio"/>	<input checked="" type="checkbox"/>									<input checked="" type="checkbox"/>				285	284				
	148											<input type="radio"/>		<input checked="" type="checkbox"/>									<input checked="" type="checkbox"/>				285	284				
XM 1501 SPLINE® ONE 40 mm 27.5	100	584 x 40	40	44	21	●		<input type="radio"/>	<input checked="" type="checkbox"/>														28	DT competition®	DT competition®	284	284	3-cross	3	●	120	
	110								<input checked="" type="checkbox"/>													284				284						
	142								<input checked="" type="checkbox"/>				<input type="radio"/>	<input checked="" type="checkbox"/>												<input checked="" type="checkbox"/>	285					284
	148											<input type="radio"/>		<input checked="" type="checkbox"/>												<input checked="" type="checkbox"/>	285					284
M 1700 SPLINE® 25 mm 27.5 29	100	584 x 25	25	30	19.5	●		<input type="radio"/>	<input checked="" type="checkbox"/>														28	DT competition®	DT competition®	286	287	3-cross	3	●	120	
	110								<input checked="" type="checkbox"/>													286				287						
	142								<input checked="" type="checkbox"/>				<input type="radio"/>	<input checked="" type="checkbox"/>												<input checked="" type="checkbox"/>	287					284
	142								<input checked="" type="checkbox"/>				<input type="radio"/>	<input checked="" type="checkbox"/>												<input checked="" type="checkbox"/>	287					284
	148													<input checked="" type="checkbox"/>												<input checked="" type="checkbox"/>	287					284
	148														<input checked="" type="checkbox"/>											<input checked="" type="checkbox"/>	287					284
	148														<input checked="" type="checkbox"/>											<input checked="" type="checkbox"/>	287					284
XM 1501 SPLINE® ONE 25 mm 27.5	100	622 x 25	25	30	19.5	●		<input type="radio"/>	<input checked="" type="checkbox"/>														28	DT competition®	DT competition®	304	305	3-cross	3	●	120	
	110								<input checked="" type="checkbox"/>													305				306						
	142								<input checked="" type="checkbox"/>				<input type="radio"/>	<input checked="" type="checkbox"/>												<input checked="" type="checkbox"/>	306					303
	142								<input checked="" type="checkbox"/>				<input type="radio"/>	<input checked="" type="checkbox"/>												<input checked="" type="checkbox"/>	306					303
	148													<input checked="" type="checkbox"/>												<input checked="" type="checkbox"/>	306					303
	148														<input checked="" type="checkbox"/>											<input checked="" type="checkbox"/>	306					303
	148														<input checked="" type="checkbox"/>											<input checked="" type="checkbox"/>	306					303

● = Standard
 ● = Convertible with included accessories
 ○ = Option, sold separately

¹¹ Predictive Steering for RS-1

WHEELS MTB ALL MOUNTAIN

Model	Rim							Hub					Spokes				Technical data																															
	Built-in width [mm]	Rim dimension	Rim inner width [mm]	Rim outer width [mm]	Rim height [mm]	Material Carbon	Material Aluminum	Axle system					Free wheel	Free hub body	Disc mount	No. of spokes	Type Left	Type Right	Length Left [mm]	Length Right [mm]	Lacing	ASTM classification	Axle clamping force (min. / max.) 4000N / 8000N	Recommended system weight max. [kg]																								
								5 / 100 mm RWS / Quick release	15 / 100 mm Thru axle	15 / 110 mm Thru axle PS 1)	15 / 110 mm Thru axle Boost	15 / 150 mm Thru axle													20 / 110 mm Thru axle	20 / 110 mm Thru axle Boost	5 / 135 mm RWS / Quick release	12 / 142 mm Thru axle	12 / 148 mm Thru axle Boost	12 / 150 mm Thru axle	12 / 190 mm Thru axle	12 / 197 mm Thru axle																
M 1700 SPLINE® 30 mm 27.5 29	100	584 x 30	30	35	20	●		○	●								●	○	28	DT competition®	DT competition®	285	286	3-cross	3	●	120																					
	110									●													●					○	285	287																		
	142															○	●													●	○	287	284															
	142																											●	○	○	●	○	287	284														
	148																											●	○	○	●	○	287	284														
	148																											○	●	○	●	○	287	284														
	148																											○	○	●	●	○	287	284														
	M 1700 SPLINE® 35 mm 27.5							100	584 x 35	35	40	20	●		○	●																○	28	DT competition®	DT competition®	304	305	3-cross	3	●	120							
								110									●																									●	○	304	306			
								142																						○	●													○	○	305	302	
								142																																		○	●	○	●	○	305	302
								148																																		●	○	○	●	○	306	303
								148																																		○	●	○	●	○	306	303
148																					○	○	●	●	○	306	303																					

- = Standard
- = Convertible with included accessories
- = Option, sold separately

1) Predictive Steering for RS-1

WHEELS MTB ALL MOUNTAIN

Model	Rim						Hub						Spokes				Technical data																															
	Product name	Built-in width [mm]	Rim dimension	Rim inner width [mm]	Rim outer width [mm]	Rim height [mm]	Material Carbon	Material Aluminum	Axle system						Free wheel	Free hub body	Disc mount	No. of spokes	Type Left	Type Right	Length Left [mm]	Length Right [mm]	Lacing	ASTM classification	Axle clamping force (min./max.) 4000N / 8000N	Recommended system weight max. [kg]																						
									5 / 100 mm RWS / Quick release	15 / 100 mm Thru axle	15 / 110 mm Thru axle PS ¹⁾	15 / 110 mm Thru axle Boost	15 / 150 mm Thru axle	20 / 110 mm Thru axle													20 / 110 mm Thru axle Boost	5 / 135 mm RWS / Quick release	12 / 142 mm Thru axle	12 / 148 mm Thru axle Boost	12 / 150 mm Thru axle	12 / 190 mm Thru axle	12 / 197 mm Thru axle															
M 1900 SPLINE® 25 mm 27.5 29	100	584 x 25	25	30	19.5	●	●	○	●									28	DT champion®	DT champion®	286	287	3-cross	3	●	120																						
	110								●																					286	287																	
	142															○	●																287	284														
	142															○	●																287	284														
	148																				●												287	284														
	148																				●												287	284														
	100							622 x 25	25	30	19.5	●	●	○	●																	28	DT champion®	DT champion®	304	305	3-cross	3	●	120								
	110														●																															305	306	
	142																												○	●																	306	303
	142																												○	●																	306	303
148																	●									306	303																					
148																	●									306	303																					
M 1900 SPLINE® 30 mm 27.5 29	100	584 x 30	30	35	20	●	●	○	●									28	DT champion®	DT champion®	285	286	3-cross	3	●	120																						
	110								●																								285	287														
	142															○	●																	286	283													
	142															○	●																	286	283													
	148																				●													287	284													
	148																				●													287	284													
	100							622 x 30	30	35	20	●	●	○	●																	28	DT champion®	DT champion®	304	305	3-cross	3	●	120								
	110														●																															304	306	
	142																												○	●																	305	302
	142																												○	●																	305	302
148																	●									306	303																					
148																	●									306	303																					

- = Standard
- = Convertible with included accessories
- = Option, sold separately

¹⁾ Predictive Steering for RS-1

WHEELS MTB ALL MOUNTAIN

Model	Rim	Hub							Spokes				Technical data																												
		Axle system			Free wheel	Free hub body		Disc mount	No. of spokes	Type Left	Type Right	Length Left [mm]	Length Right [mm]	Lacing	ASTM classification	Axle clamping force (min./max.) 4000N / 8000N	Recommended system weight max. [kg]																								
Product name	Built-in width [mm]	Rim dimension	Rim inner width [mm]	Rim outer width [mm]	Rim height [mm]	Material Carbon	Material Aluminum	5 / 100 mm RWS / Quick release										15 / 100 mm Thru axle	15 / 110 mm Thru axle PS ¹⁾	15 / 110 mm Thru axle Boost	15 / 150 mm Thru axle	20 / 110 mm Thru axle	20 / 110 mm Thru axle Boost	5 / 135 mm RWS / Quick release	12 / 142 mm Thru axle	12 / 148 mm Thru axle Boost	12 / 150 mm Thru axle	12 / 190 mm Thru axle	12 / 197 mm Thru axle	DT Swiss Ratchet System	Pawl system	Shimano MTB 9 / 10 / 11 and Sram MTB 9 / 10	Sram MTB XD 11 / 12	Shimano 12 MICRO SPLINE	Center Lock	IS (6-bolt)					
M 1900 SPLINE® 35 mm 27.5	100	584 x 35	35	40	20	●		○	●																																
110								●																																	
142																																									
142																					○	●					●	●	○												
148																					○	●					●	●	○												
148																						●					●	●	○												

● = Standard
 ● = Convertible with included accessories
 ○ = Option, sold separately

¹⁾ Predictive Steering for RS-1

WHEELS MTB ENDURO

Model	Rim					Hub					Spokes				Technical data																														
	Rim dimension	Rim inner width [mm]	Rim outer width [mm]	Rim height [mm]	Material Carbon	Material Aluminum	Axle system				Free wheel	Free hub body	Disc mount	No. of spokes	Type Left	Type Right	Length Left [mm]	Length Right [mm]	Lacing	ASTM classification	Axle clamping force (min./max.) 4000N / 8000N	Recommended system weight max. [kg]																							
EX 1501 SPLINE® ONE 25 mm 27.5 29	100	584 x 25	25	30	21	●	○	●															28	DT competition®	DT competition®				3-cross	4	●	130													
	110													●																								283	283						
	142																○	●		●	●																		284	284					
	148																		○	●	●																		284	283					
	110	622 x 25	25	30	21	●	○	●																28	DT competition®	DT competition®				3-cross	4	●	130												
	110													●																															
	142																○	●		●	●																								
	148													○	●	●																													
100	584 x 30	30	35	21	●	○	●																28	DT competition®	DT competition®				3-cross	4	●	130													
110													●																																
142																○	●		●	●																									
148																		○	●	●																									
100	622 x 30	30	35	21	●	○	●																28	DT competition®	DT competition®				3-cross	4	●	130													
110													●																																
142																○	●		●	●																									
148																		○	●	●																									
100	622 x 30	30	35	21	●	○	●																28	DT competition®	DT competition®				3-cross	4	●	130													
110													●																																
142																○	●		●	●																									
148																		○	●	●																									

● = Standard
 ○ = Convertible with included accessories
 ○ = Option, sold separately

¹⁾ Predictive Steering for RS-1

* 36T SL

WHEELS MTB ENDURO

Model	Rim		Hub												Spokes				Technical data																																									
			Axle system						Free wheel	Free hub body		Disc mount																																																
			Product name	Built-in width [mm]	Rim dimension	Rim inner width [mm]	Rim outer width [mm]	Rim height [mm]	Material Carbon	Material Aluminum	5 / 100 mm RWS / Quick release	15 / 100 mm Thru axle	15 / 110 mm Thru axle PS ¹⁾	15 / 110 mm Thru axle Boost	15 / 150 mm Thru axle	20 / 110 mm Thru axle	20 / 110 mm Thru axle Boost	5 / 135 mm RWS / Quick release	12 / 142 mm Thru axle	12 / 148 mm Thru axle Boost	12 / 150 mm Thru axle	12 / 190 mm Thru axle	12 / 197 mm Thru axle	DT Swiss Ratchet System	Pawl system	Shimano MTB 9 / 10 / 11 and Sram MTB 9 / 10	Sram MTB XD 11 / 12	Shimano 12 MICRO SPLINE	Center Lock	IS (6-bolt)	No. of spokes	Type Left	Type Right	Length Left [mm]	Length Right [mm]	Lacing	ASTM classification	Axle clamping force (min. / max.) 4000N / 8000N	Recommended system weight max. [kg]																					
E 1700 SPLINE® 25 mm 27.5 29	100	584 x 25	25	30	20	●		○	●																																																			
	110								●																																																			
	142																											○	●																															
	142																												○	●																														
	148																													○	●																													
	148																													○	●																													
	148																													○	●																													
	148																													○	●																													
	148																													○	●																													
								100	622 x 25	25	30	20	●		○	●																																												
110			●																																																									
142																																																												
142																																																												
148																																																												
148																																																												

● = Standard
● = Convertible with included accessories
○ = Option, sold seperately

¹⁾ Predictive Steering for RS-1

WHEELS MTB ENDURO

Model	Rim														Hub					Spokes				Technical data																																				
															Axle system			Free wheel	Free hub body		Disc mount				Length Left [mm]	Length Right [mm]	Lacing	ASTM classification	Axle clamping force (min./max.) 4000N / 8000N	Recommended system weight max. [kg]																														
	Product name	Built-in width [mm]	Rim dimension	Rim inner width [mm]	Rim outer width [mm]	Rim height [mm]	Material Carbon	Material Aluminum	5 / 100 mm RWS / Quick release	15/100 mm Thru axle	15/110 mm Thru axle PS ¹⁾	15/110 mm Thru axle Boost	15/150 mm Thru axle	20/110 mm Thru axle	20/110 mm Thru axle Boost	5/135 mm RWS / Quick release	12/142 mm Thru axle	12/148 mm Thru axle Boost	12/150 mm Thru axle	12/190 mm Thru axle	12/197 mm Thru axle	DT Swiss Ratchet System	Pawl system	Shimano MTB 9 / 10 / 11 and Sram MTB 9 / 10							Sram MTB XD 11/12	Shimano 12 MICRO SPLINE	Center Lock	IS (6-bolt)	No. of spokes	Type Left	Type Right																							
E 1700 SPLINE® 30 mm 27.5 29	100							○	●																												285	286																						
	110									●																											285	287																						
	142																																					286	283																					
	142	584 x 30	30	35	20		●								○	●													28	DT competition®	DT competition®								286	283	3-cross	4	●	130																
	148																																							286	283																			
	148																																									286	283																	
	148																																										286	283																
	100								○	●																																			304	305														
	110										●																																				304	306												
	142											●																																					305	302										
	142	622 x 30	30	35	20		●								○	●														28	DT competition®	DT competition®																		305	302	3-cross	4	●	130					
	148																																																		306	303								
	148																																																						306	303				
	148																																																											

● = Standard
 ○ = Convertible with included accessories
 ○ = Option, sold separately
¹⁾ Predictive Steering for RS-1

WHEELS MTB ENDURO

Model	Rim		Hub												Spokes				Technical data																	
			Axle system						Free wheel	Free hub body		Disc mount				No. of spokes	Type Left	Type Right	Length Left [mm]	Length Right [mm]	Lacing	ASTM classification	Axle clamping force (min./max.) 4000N / 8000N	Recommended system weight max. [kg]												
Product name	Built-in width [mm]	Rim dimension	Rim inner width [mm]	Rim outer width [mm]	Rim height [mm]	Material Carbon	Material Aluminum	5 / 100 mm RWS / Quick release	15 / 100 mm Thru axle	15 / 110 mm Thru axle PS ¹⁾	15 / 110 mm Thru axle Boost	15 / 150 mm Thru axle	20 / 110 mm Thru axle	20 / 110 mm Thru axle Boost	5 / 135 mm RWS / Quick release										12 / 142 mm Thru axle	12 / 148 mm Thru axle Boost	12 / 150 mm Thru axle	12 / 190 mm Thru axle	12 / 197 mm Thru axle	DT Swiss Ratchet System	Pawl system	Shimano MTB 9 / 10 / 11 and Sram MTB 9 / 10	Sram MTB XD 11 / 12	Shimano 12 MICRO SPLINE	Center Lock	IS (6-bolt)
584 x 30	30	35	20	●	○	●	○	●	○	●	○	●	○	●	○	●	○	●	○	●	○	●	○	●	○	●	○	285	287	286	283	287	284	287	284	
E 1900 SPLINE [®] 30 mm 27.5 29	100 110 142 142 148 148	622 x 30	30	35	20	●	○	●	●	○	○	○	○	○	○	○	○	○	○	○	○	○	○	○	○	○	○	○	○	○	○	○	○	○	○	
100 110 142 142 148 148	○																																			●

● = Standard
 ● = Convertible with included accessories
 ○ = Option, sold separately
¹⁾ Predictive Steering for RS-1

WHEELS MTB FREERIDE / BIG RIDE

Model	Rim				Hub										Spokes				Technical data																		
	Built-in width [mm]	Rim dimension	Rim inner width [mm]	Rim outer width [mm]	Rim height [mm]	Material Carbon	Material Aluminum	Axle system					Free wheel	Free hub body	Disc mount	No. of spokes	Type Left	Type Right	Length Left [mm]	Length Right [mm]	Lacing	ASTM classification	Axle clamping force (min./max.) 4000N / 8000N	Recommended system weight max. [kg]													
FR 1950 CLASSIC 30 mm 27.5 29	110	584 x 30	30	35	21	●	○ ●	5 / 100 mm RWS / Quick release	15 / 100 mm Thru axle	15 / 110 mm Thru axle PS ¹⁾	15 / 110 mm Thru axle Boost	15 / 150 mm Thru axle	20 / 110 mm Thru axle	20 / 110 mm Thru axle Boost	5 / 135 mm RWS / Quick release	12 / 142 mm Thru axle	12 / 148 mm Thru axle Boost	12 / 150 mm Thru axle	12 / 190 mm Thru axle	12 / 197 mm Thru axle	DT Swiss Ratchet System	Pawl system	Shimano MTB 9 / 10 / 11 and Sram MTB 9 / 10	Sram MTB XD 11 / 12	Shimano 12 MICRO SPLINE	Center Lock	IS (6-bolt)	●	32	DT competition®	DT competition®	272	273	3-cross	5	●	140
	110							272	273																												
	148							273	273																												
	150							272	272																												
	110	622 x 30	30	35	21	●	○ ●	5 / 100 mm RWS / Quick release	15 / 100 mm Thru axle	15 / 110 mm Thru axle PS ¹⁾	15 / 110 mm Thru axle Boost	15 / 150 mm Thru axle	20 / 110 mm Thru axle	20 / 110 mm Thru axle Boost	5 / 135 mm RWS / Quick release	12 / 142 mm Thru axle	12 / 148 mm Thru axle Boost	12 / 150 mm Thru axle	12 / 190 mm Thru axle	12 / 197 mm Thru axle	DT Swiss Ratchet System	Pawl system	Shimano MTB 9 / 10 / 11 and Sram MTB 9 / 10	Sram MTB XD 11 / 12	Shimano 12 MICRO SPLINE	Center Lock	IS (6-bolt)	●	32	DT competition®	DT competition®	291	292	3-cross	5	●	140
	110							291	293																												
	148							292	292																												
	150							291	291																												
BR 2250 CLASSIC 76 mm 26	150	559 x 76	76	81	16	●	○ ●	5 / 100 mm RWS / Quick release	15 / 100 mm Thru axle	15 / 110 mm Thru axle PS ¹⁾	15 / 110 mm Thru axle Boost	15 / 150 mm Thru axle	20 / 110 mm Thru axle	20 / 110 mm Thru axle Boost	5 / 135 mm RWS / Quick release	12 / 142 mm Thru axle	12 / 148 mm Thru axle Boost	12 / 150 mm Thru axle	12 / 190 mm Thru axle	12 / 197 mm Thru axle	DT Swiss Ratchet System	Pawl system	Shimano MTB 9 / 10 / 11 and Sram MTB 9 / 10	Sram MTB XD 11 / 12	Shimano 12 MICRO SPLINE	Center Lock	IS (6-bolt)	●	32	DT competition®	DT competition®	266	266	3-cross	3	●	130
	197							267	265																												

- = Standard
- ◐ = Convertible with included accessories
- = Option, sold separately

¹⁾ Predictive Steering for RS-1

WHEELS HYBRID

Model	Rim		Axle system												Hub			Spoke				Technical data														
			Axle system												Free wheel	Free hub body	Disc mount	Spoke				Technical data														
Product name	Built-in width [mm]	Rim dimension	Rim inner width [mm]	Rim outer width [mm]	Rim height [mm]	Material Carbon	Material Aluminum	5 / 100 mm RWS / Quick release	15 / 100 mm Thru axle	15 / 110 mm Thru axle PS ¹⁾	15 / 110 mm Thru axle Boost	15 / 150 mm Thru axle	20 / 110 mm Thru axle	5 / 135 mm RWS / Quick release	12 / 142 mm Thru axle	12 / 148 mm Thru axle Boost	12 / 150 mm Thru axle	12 / 190 mm Thru axle	12 / 197 mm Thru axle	DT Swiss Ratchet System	Pawl system	Shimano MTB 9 / 10 / 11 and Sram MTB 9 / 10	Sram MTB XD 11 / 12	Shimano 12 MICRO SPLINE	Center Lock	IS (6-bolt)	No. of spokes	Type Left	Type Right	Length Left [mm]	Length Right [mm]	Lacing	ASTM classification	Axle clamping force (min. / max.) 4000N / 8000N	Recommended system weight max. [kg]	
HXC 1200 SPLINE® 30 mm 27.5 29	110	584 x 30	30	36	30	●				●						●	●										●	28	DT Hybrid 2°	DT Hybrid 2°	276	277	3-cross	3	●	120
	148																											DT Hybrid 2°	DT Hybrid 2°	277	276					
	110	622 x 30	30	36	30	●				●						●	●										●	28	DT Hybrid 2°	DT Hybrid 2°	295	296	3-cross	3	●	120
	148																											DT Hybrid 2°	DT Hybrid 2°	296	295					
HX 1501 SPLINE® ONE 25 mm 27.5 29	110	584 x 25	25	30	21	●				●						●	●										●	28	DT Hybrid 2°	DT Hybrid 2°	285	287	3-cross	3	●	150
	148																											DT Hybrid 2°	DT Hybrid 2°	286	285					
	110	622 x 25	25	30	21	●				●						●	●										●	28	DT Hybrid 2°	DT Hybrid 2°	304	305	3-cross	3	●	150
	148																											DT Hybrid 2°	DT Hybrid 2°	305	304					
HX 1501 SPLINE® ONE 30 mm 27.5 29	110	584 x 30	30	35	21	●				●						●	●										●	28	DT Hybrid 2°	DT Hybrid 2°	285	287	3-cross	3	●	150
	148																											DT Hybrid 2°	DT Hybrid 2°	286	285					
	110	622 x 30	30	35	21	●				●						●	●										●	28	DT Hybrid 2°	DT Hybrid 2°	304	305	3-cross	3	●	150
	148																											DT Hybrid 2°	DT Hybrid 2°	305	304					
HX 1501 SPLINE® ONE 35 mm 27.5	110	584 x 35	35	40	21	●				●						●	●									●	28	DT Hybrid 2°	DT Hybrid 2°	285	287	3-cross	3	●	150	
	148																											DT Hybrid 2°	DT Hybrid 2°	286	285					

- = Standard
- ◐ = Convertible with included accessories
- = Option, sold separately
- ¹⁾ Predictive Steering for RS-1

WHEELS HYBRID

Model	Rim		Axle system												Hub			Spoke				Technical data														
			Free wheel		Free hub body		Disc mount		Type Left	Type Right	Length Left [mm]	Length Right [mm]	Lacing	ASTM classification	Axle clamping force (min./max.) 4000N / 8000N	Recommended system weight max. [kg]																				
Product name	Built-in width [mm]	Rim dimension	Rim inner width [mm]	Rim outer width [mm]	Rim height [mm]	Material Carbon	Material Aluminum	5 / 100 mm RWS / Quick release	15 / 100 mm Thru axle	15 / 110 mm Thru axle PS ¹⁾	15 / 110 mm Thru axle Boost	15 / 150 mm Thru axle	20 / 110 mm Thru axle	5 / 135 mm RWS / Quick release	12 / 142 mm Thru axle	12 / 148 mm Thru axle Boost	12 / 150 mm Thru axle	12 / 190 mm Thru axle	12 / 197 mm Thru axle	DT Swiss Ratchet System	Pawl system	Shimano MTB 9 / 10 / 11 and Sram MTB 9 / 10	Sram MTB XD 11 / 12	Shimano 12 MICRO SPLINE	Center Lock	IS (6-bit)	No. of spokes	Type Left	Type Right	Length Left [mm]	Length Right [mm]	Lacing	ASTM classification	Axle clamping force (min./max.) 4000N / 8000N	Recommended system weight max. [kg]	
H 1700 SPLINE® 25 mm 27.5 29	110	584 x 25	25	30	20	●			●							●	●										●	28	DT Hybrid 1°	DT Hybrid 1°	286	287	3-cross	3	●	150
	148																											DT Hybrid 1°	DT Hybrid 1°	287	284					
	110	622 x 25	25	30	21	●			●							●	●										●	28	DT Hybrid 1°	DT Hybrid 1°	304	305	3-cross	3	●	150
	148																											DT Hybrid 1°	DT Hybrid 1°	305	304					
H 1700 SPLINE® 30 mm 27.5 29	110	584 x 30	30	35	20	●			●							●	●										●	28	DT Hybrid 1°	DT Hybrid 1°	285	287	3-cross	3	●	150
	148																											DT Hybrid 1°	DT Hybrid 1°	287	284					
	110	622 x 30	30	35	20	●			●							●	●										●	28	DT Hybrid 1°	DT Hybrid 1°	304	306	3-cross	3	●	150
	148																											DT Hybrid 1°	DT Hybrid 1°	305	303					
H 1700 SPLINE® 35 mm 27.5	110	584 x 35	35	40	20	●			●							●	●										●	28	DT Hybrid 1°	DT Hybrid 1°	285	287	3-cross	3	●	150
	148																											DT Hybrid 1°	DT Hybrid 1°	287	284					
H 1900 SPLINE® 25 mm 27.5 29	110	584 x 25	25	30	20	●			●							●	●										●	28	DT Hybrid 1°	DT Hybrid 1°	286	287	3-cross	3	●	150
	148																											DT Hybrid 1°	DT Hybrid 1°	287	284					
	110	622 x 25	25	30	20	●			●							●	●										●	28	DT Hybrid 1°	DT Hybrid 1°	304	305	3-cross	3	●	150
	148																											DT Hybrid 1°	DT Hybrid 1°	305	304					
H 1900 SPLINE® 30 mm 27.5 29	110	584 x 30	30	35	20	●			●							●	●										●	28	DT Hybrid 1°	DT Hybrid 1°	285	287	3-cross	3	●	150
	148																											DT Hybrid 1°	DT Hybrid 1°	287	284					
	110	622 x 30	30	35	20	●			●							●	●										●	28	DT Hybrid 1°	DT Hybrid 1°	304	306	3-cross	3	●	150
	148																											DT Hybrid 1°	DT Hybrid 1°	305	303					
H 1900 SPLINE® 35 mm 27.5	110	584 x 35	35	40	20	●			●							●	●										●	28	DT Hybrid 1°	DT Hybrid 1°	285	287	3-cross	3	●	150
	148																											DT Hybrid 1°	DT Hybrid 1°	287	284					
H 1950 CLASSIC 25 mm 29	100	622 x 25	25	30	20	●	●	●								●	●									●	●	32	DT Hybrid 1°	DT Hybrid 1°	293	294	3-cross	3	●	150
	142																												DT Hybrid 1°	DT Hybrid 1°	294	292				

- = Standard
- ◐ = Convertible with included accessories
- = Option, sold separately

¹⁾ Predictive Steering for RS-1

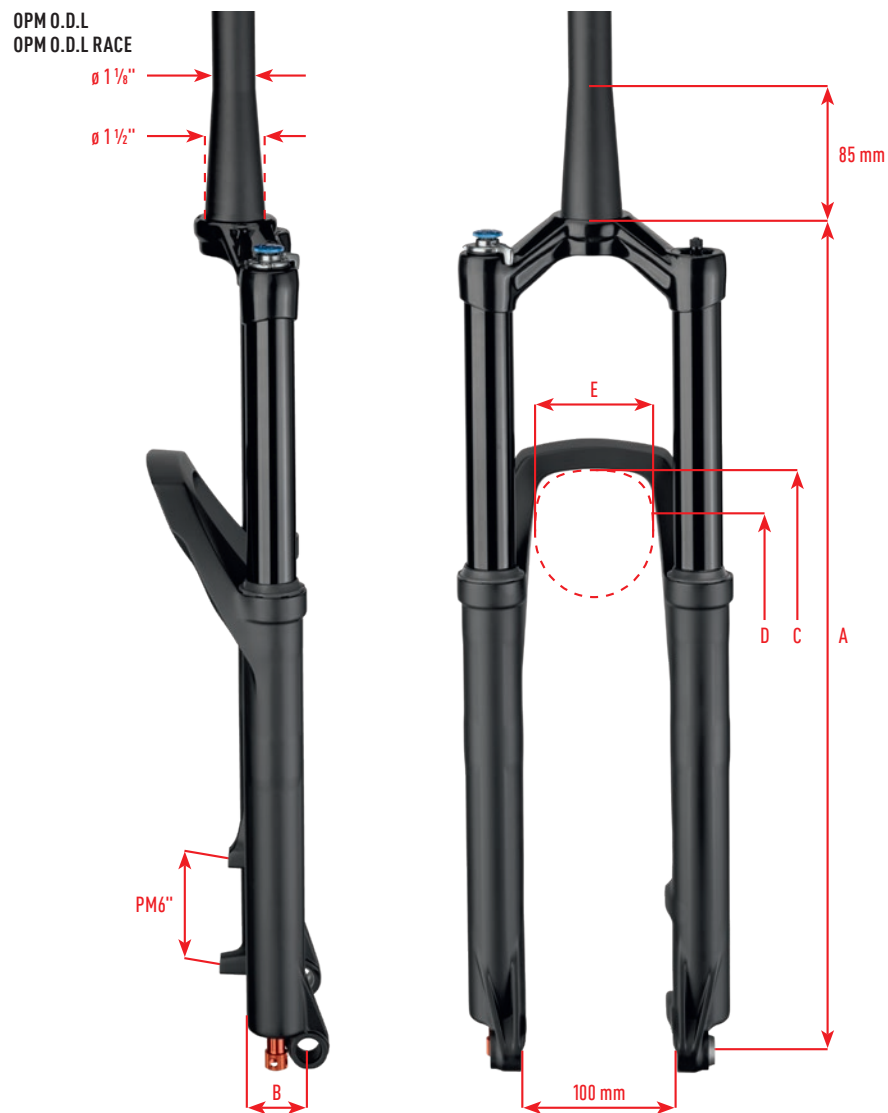
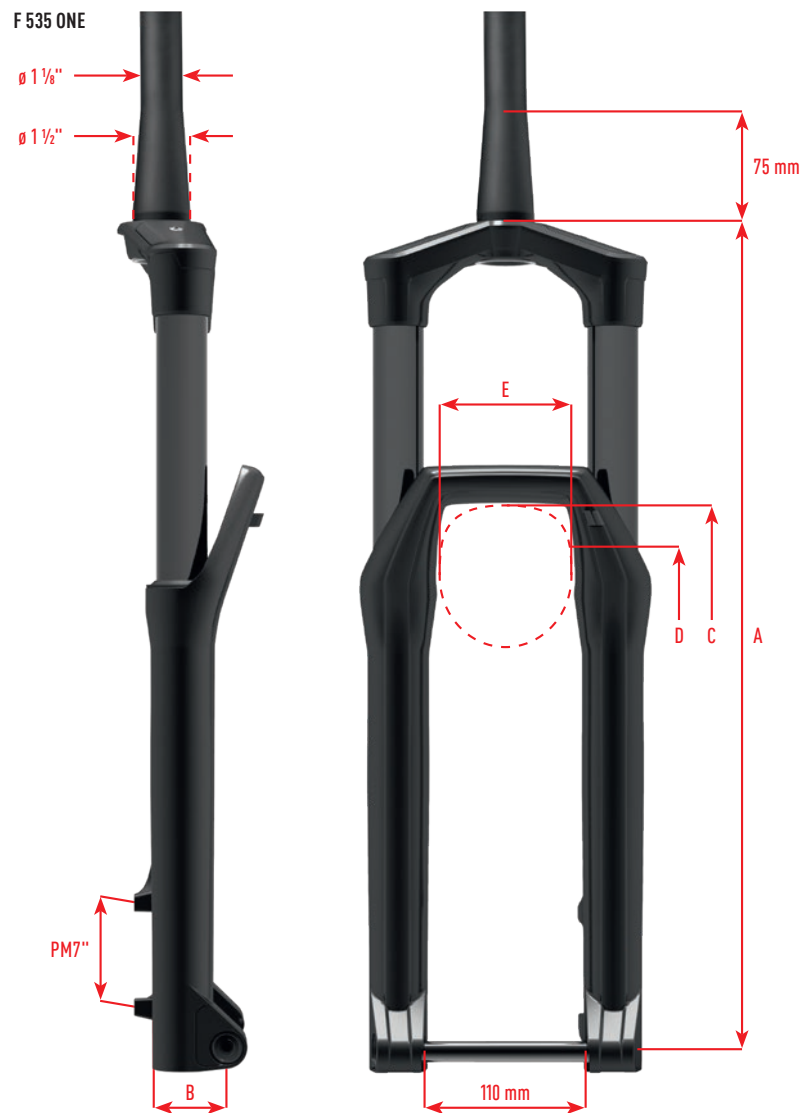
SUSPENSION FORKS

Model	Travel [mm]	Adjustment		Steerer / Crown		Technical data								ASTM	Spring system	Damping system			Accessories included																					
		Crown adjust	Remote ready	Aluminum black	Carbon	Ride height (A) ± 3 mm [mm]	Fork offset (B) [mm]	Tire diameter max. (C) [mm]	Max. diameter (D) at tire width (E) [mm]	Max. tire width (E) [mm]	Disc mount PM6" max. [mm]	Disc mount PM7" max. [mm]	Recommended system weight max. [kg] MTB			Recommended system weight max. [kg] MTB + e-bike	Classification MTB	Classification MTB + e-bike	NCS	LINEAIR	COILPAIR	APT	O.D.L. (Open – Drive – Lock)	INCONTROL	PLUSPORT	Star nut and top gap set	Carbon expander and top gap set	Shock pump	RWS 15/100 mm Thru axle light	RWS 15/110 mm Thru axle incl. Setup-Tool (T10 Torx)	Two in one remote lever	3 volume spacer	1 volume spacer	Fender	3 brake hose clamps	Service kit				
F 535 ONE	27.5	2020	130	●	○	●		524	44	727	694	75		203	130	120	4	4	●	●	●		●	●	●				●	○	●	●	●	●	●	●	●			
			140	●	○	●		534	44	727	694	75		203	130	120	4	4	●	●	●		●	●	●				●	○	●	●	●	●	●	●	●			
			150	●	○	●		544	44	727	694	75		203	130	120	4	4	●	●	●		●	●	●				●	○	●	●	●	●	●	●	●	●		
			160	●	○	●		554	44	727	694	75		203	130	120	4	4	●	●	●		●	●	●				●	○	●	●	●	●	●	●	●	●		
	29 / 27.5+	2090	130	●	○	●		541	51	760 / 736	730 / 705	75 / 77		203	130	120	4	4	●	●	●		●	●	●				●	○	●	●	●	●	●	●	●	●		
			140	●	○	●		551	51	760 / 736	730 / 705	75 / 77		203	130	120	4	4	●	●	●		●	●	●				●	○	●	●	●	●	●	●	●	●	●	
			150	●	○	●		561	51	760 / 736	730 / 705	75 / 77		203	130	120	4	4	●	●	●		●	●	●				●	○	●	●	●	●	●	●	●	●	●	
			160	●	○	●		571	51	760 / 736	730 / 705	75 / 77		203	130	120	4	4	●	●	●		●	●	●				●	○	●	●	●	●	●	●	●	●	●	●
OPM O.D.L RACE	27.5	1410	100	○	●	●	●	488	41	718	698	65	210		110		3		●		●	●		●	●	●		●	●											
		1440	120	○	●	●	●	508	41	718	698	65	210		110		3		●		●	●		●	●	●		●	●											
	29	1440	100	○	●	●	●	505	45	756	733	62	210		110		3		●		●	●		●	●	●		●	●											
		1470	120	○	●	●	●	525	45	756	733	62	210		110		3		●		●	●		●	●	●		●	●											
OPM O.D.L	27.5	1540	100	●	○	●		488	41	718	698	65	210		130		3		●		●	●		●	●	●														
		1570	120	●	○	●		508	41	718	698	65	210		130		3		●		●	●		●	●	●														
		1600	140	●	○	●		528	41	718	698	65	210		130		3		●		●	●		●	●	●														
		1615	150	●	○	●		538	41	718	698	65	210		130		3		●		●	●		●	●	●														
	29	1570	100	●	○	●		505	45	756	733	62	210		130		3		●		●	●		●	●	●														
		1600	120	●	○	●		525	45	756	733	62	210		130		3		●		●	●		●	●	●														
		1615	130	●	○	●		535	45	756	733	62	210		130		3		●		●	●		●	●	●														

● = Standard
○ = Option, sold separately

¹⁾ Weight +/- 3%, lightest combination without RWS, remote lever and steerer expander. RWS weight 65 grams, remote lever 26 grams.

SUSPENSION FORKS



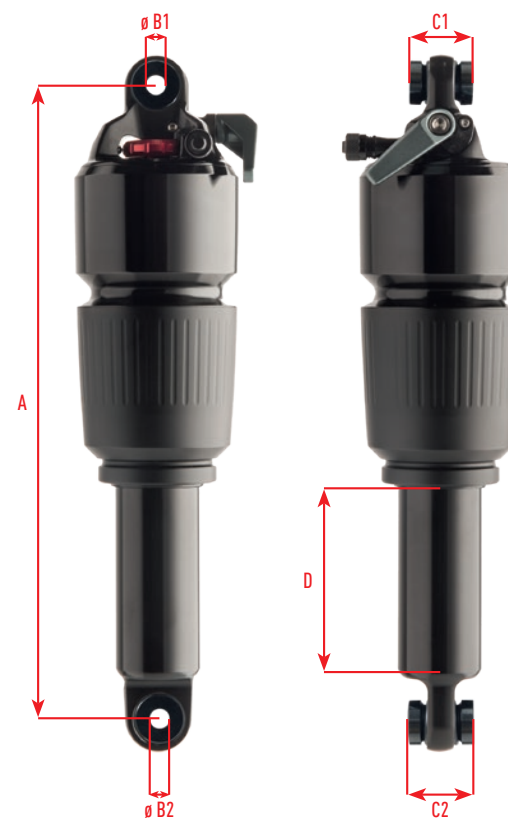
- A = Ride height [mm]
- B = Forks offset [mm]
- C = Max. Tire diameter [mm]
- D = Diameter at max. tire width [mm]
- E = Max. tire width [mm]

SUSPENSION SHOCKS

Model		Technical data												Air chamber, finish	Spring system	Damping system	Accessories included								
Product name		Weight ¹⁾ ± 3% [g]	165 (A) x 38 (D) mm	170 (A) x 30 (D) mm	170 (A) x 35 (D) mm	190 (A) x 40 (D) mm	190 (A) x 45 (D) mm	190 (A) x 50 (D) mm	200 (A) x 50 (D) mm	200 (A) x 55 (D) mm	210 (A) x 50 (D) mm	210 (A) x 55 (D) mm	230 (A) x 60 (D) mm	230 (A) x 65 (D) mm	Carbon fiber	Aluminum black	ABS	SAB	LINEAIR	O.D.L (Open – Drive – Lock)	INCONTROL	Setting	Two In One double stage lever	Lightweight double stage lever	High Pressure Shock pump
R 535 ONE	lever	266 ²⁾	●	●	●	●					●	●	●		●		●	●		●	MM				●
	Remote	291 ³⁾	●	●	●	●					●	●	●		●		●	●		●	MM	●			●
X 313 Carbon	lever	145 ⁴⁾	●					●	●	●				●	●				●	MM					
	Remote	155 ⁵⁾	●					●	●	●				●	●		●		●	MM			●		
X 313	lever	195 ⁴⁾	●					●	●	●				●	●				●	MM					
	Remote	205 ⁵⁾	●					●	●	●				●	●		●		●	MM			●		

● = Standard

- ¹⁾ Weight without hardware
- ²⁾ Weight at 170 x 35 mm
- ³⁾ Weight at 170 x 35 mm, incl. Two In One Double Stage lever
- ⁴⁾ Weight at 165 x 38 mm
- ⁵⁾ Weight at 165 x 38 mm, incl. Lightweight Double Stage lever



A = Eye-to-eye [mm]
 D = Stroke [mm]
 B1 / B2 = Bolt diameter [mm]
 C1 / C2 = Mounting hardware width [mm]

To fit a shock to your frame you need two hardware kits. One kit contains two reducers and two O-rings. When ordering a shock please measure A to C2 like shown on the graphics.

RIMS ROAD, TREKKING/E-BIKE

Model	Dimension							Rim joint		Brake	Holes					Eyelets		Technical data				Accessories included									
	Product name	Weight ± 5% [g]	Rim dimension	ERD [mm]	Rim inner width [mm]	Rim outer width [mm]	Rim height [mm]	Carbon	Welded	Sleeve joint	Pin joint	Disc brake	Rim brake	20 holes	24 holes	28 holes	32 holes	36 holes	None	Single	Double	Valve hole Presta SV ø 6.5 mm	Valve hole Schrader AV ø 8.5 mm	Tubeless ready with tape	ASTM classification	Recommended system weight max. [kg]	Max. spoke tension [N]	PHR washer	DT Squorx nipple	Valve adapter Schrader AV to Presta SV	Rim tape
RIMS PERFORMANCE	RR 411 SYMMETRIC	435	622 x 18	601 ¹⁾	18	22	21	●				●	●	●	●	●	●	●			●	○	1	110	1200	●	●				
	RR 411 ASYMMETRIC	445	622 x 18	601 ¹⁾	18	22	21	●				●		●	●	●	●	●	●			●	○	1	110	1200	●	●			
	RR 411 db ASYMMETRIC	410	622 x 18	601 ¹⁾	18	22	21	●				●		●	●	●	●	●	●			●	○	1	110	1200	●	●			
	RR 511	530	622 x 18	581 ¹⁾	18	22	32	●				●	●	●	●	●	●	●	●			●	○	2	130	1200	●	●			
	RR 511 db	490	622 x 18	581 ¹⁾	18	22	32	●				●		●	●	●	●	●	●			●	○	2	130	1200	●	●			
	R 460	460	622 x 18	596	18	23	23		●			●	●	●	●	●	●	●	●			●	○	2	110	1200					
	R 460 db	450	622 x 18	596	18	22	23			●		●		●	●	●	●	●	●			●	○	2	110	1200					
RIMS ENDURANCE	RR 421 db ASYMMETRIC	430	622 x 20	601 ¹⁾	20	24	21	●			●		●	●	●	●	●	●			●	○	2	120	1200	●	●				
	RR 521 db	520	622 x 20	581 ¹⁾	20	24	32	●			●		●	●	●	●	●	●			●	○	2	130	1200	●	●				
	R 470 db	450	622 x 20	596	20	24	23		●		●		●	●	●	●	●	●			●	○	2	120	1200						
RIMS CROSS ROAD	RR 481 db	650b	455	584 x 22	556 ¹⁾	22	26	25	●		●		●	●	●	●	●	●			●	○	2	130	1200						
		700c	485	622 x 22	594 ¹⁾	22	26	25	●		●		●	●	●	●	●	●			●	○	2	130	1200						
	R 500 db	650b	465	584 x 22	558	22	26	23		●		●		●	●	●	●	●			●	○	2	130	1200						
		700c	495	622 x 22	596	22	26	23		●		●		●	●	●	●	●			●	○	2	130	1200						
RIMS TREKKING / E-BIKE	TK 540	700c	545	622 x 19	600	19	23.6	20.2	●		●				●	●				●	●		2	130	1200						
	TK 540 db	700c	545	622 x 19	600	19	23.6	20.2	●		●				●					●	●		2	130	1200						
	535	26	540	559 x 19	540	19	24	20			●		●		●	●	●	●			●	○	●	2	140	1200				●	
		700c	600	622 x 19	603	19	24	20			●		●		●	●	●	●			●	○	●	2	140	1200				●	
	545D	26	530	559 x 21	542	21	27	19			●	●			●	●	●	●			●	○	●	2	140	1200				●	
700c		585	622 x 21	605	21	27	19			●	●			●	●	●	●			●	○	●	2	140	1200				●		

- = Standard
- ◐ = Convertible with included accessories
- = Option, sold separately

¹⁾ Incl. PHR washer

RIMS MTB

Model		Dimension							Rim joint		Brake	Holes				Eyelets			Technical data				Accessories included							
Product name	Weight ± 5% [g]	Rim dimension	ERD [mm]	Rim inner width [mm]	Rim outer width [mm]	Rim height [mm]	Carbon	Welded	Sleeve joint	Pin joint	Disc brake	Rim brake	20 holes	24 holes	28 holes	32 holes	36 holes	None	Single	Double	Valve hole Presta SV ø 6.5 mm	Valve hole Schrader AV ø 8.5 mm	Tubeless ready with tape	ASTM classification	Recommended system weight max. [kg]	Max. spoke tension [N]	PHR washer	DT Squorx nipple	Valve adapter Schrader AV to Presta SV	Rim tape
RIMS XR	XR 331	27.5	355	584 x 20	568 ¹¹	20	24	18	●						●	●	●				●		○	3	110	1200	●	●		
	29	380	622 x 20	606 ¹¹	20	24	18	●		●					●	●	●				●		○	3	110	1200	●	●		
CROSS COUNTRY	XR 361 ASYMM.	27.5	390	584 x 22.5	569 ¹¹	22.5	26	18	●		●				●	●	●				●		○	3	110	1200	●	●		
		29	410	622 x 22.5	607 ¹¹	22.5	26	18	●		●					●	●	●				●		○	3	110	1200	●	●	
XR 391	27.5	415	584 x 25	569 ¹¹	25	29	18	●		●					●	●	●				●		○	3	110	1200	●	●		
	29	440	622 x 25	607 ¹¹	25	29	18	●		●					●	●	●				●		○	3	110	1200	●	●		
X 392	27.5	415	584 x 20	568	20	24	18		●	●					●	●	●		●		●		○	3	110	1200				
	29	440	622 x 20	606	20	24	18		●	●					●	●	●		●		●		○	3	110	1200				
X 412	27.5	440	584 x 22.5	567	22.5	27	18.5		●	●					●	●	●		●		●		○	3	110	1200				
	29	465	622 x 22.5	605	22.5	27	18.5		●	●					●	●	●		●		●		○	3	110	1200				
X 432	27.5	460	584 x 25	565	25	29	19.5		●	●					●	●	●		●		●		○	3	110	1200				
	29	490	622 x 25	603	25	29	19.5		●	●					●	●	●		●		●		○	3	110	1200				

● = Standard
 ○ = Option, sold separately
¹¹ Incl. PHR washer

RIMS MTB

Model		Dimension							Rim joint		Brake	Holes				Eyelets		Technical data				Accessories included								
Product name	Weight ± 5% [g]	Rim dimension	ERD [mm]	Rim inner width [mm]	Rim outer width [mm]	Rim height [mm]	Carbon	Welded	Sleeve joint	Pin joint	Disc brake	Rim brake	20 holes	24 holes	28 holes	32 holes	36 holes	None	Single	Double	Valve hole Presta SV ø 6.5 mm	Valve hole Schrader AV ø 8.5 mm	Tubeless ready with tape	ASTM classification	Recommended system weight max. [kg]	Max. spoke tension [N]	PHR washer	DT Squorx nipple	Valve adapter Schrader AV to Presta SV	Rim tape
RIMS XM	XM 401	27.5	430	584 x 22.5	565 ¹⁾	22.5	27	19.5	●	●			●	●	●	●	●	●		●	○	4	120	1200	●	●				
	29	460	622 x 22.5	603 ¹⁾	22.5	27	19.5	●	●	●			●	●	●	●	●	●		●	○	4	120	1200	●	●				
ALL MOUNTAIN	XM 421	27.5	440	584 x 25	564 ¹⁾	25	30	20	●	●			●	●	●	●	●	●		●	○	4	120	1200	●	●				
	29	465	622 x 25	602 ¹⁾	25	30	20	●	●	●			●	●	●	●	●	●		●	○	4	120	1200	●	●				
XM 481	27.5	490	584 x 30	563 ¹⁾	30	35	21	●	●	●			●	●	●	●	●	●		●	○	4	120	1200	●	●				
	29	525	622 x 30	601 ¹⁾	30	35	21	●	●	●			●	●	●	●	●	●		●	○	4	120	1200	●	●				
XM 521	27.5	545	584 x 35	562 ¹⁾	35	40	21	●	●	●			●	●	●	●	●	●		●	○	4	120	1200	●	●				
XM 551	27.5	595	584 x 40	564 ¹⁾	40	44	21	●	●	●			●	●	●	●	●	●		●	○	4	120	1200	●	●				
M 442	27.5	465	584 x 22.5	565	22.5	27	19.5		●	●			●	●	●	●	●	●	●	●	○	4	120	1200						
	29	495	622 x 22.5	603	22.5	27	19.5		●	●			●	●	●	●	●	●	●	●	○	4	120	1200						
M 462	27.5	480	584 x 25	565	25	30	19.5		●	●			●	●	●	●	●	●	●	●	○	4	120	1200						
	29	510	622 x 25	603	25	30	19.5		●	●			●	●	●	●	●	●	●	●	○	4	120	1200						
M 502	27.5	535	584 x 30	564	30	35	20		●	●			●	●	●	●	●	●	●	●	○	4	120	1200						
	29	570	622 x 30	602	30	35	20		●	●			●	●	●	●	●	●	●	●	○	4	120	1200						
M 542	27.5	570	584 x 35	564	35	40	20		●	●			●	●	●	●	●	●	●	●	○	4	120	1200						
M 582	27.5	610	584 x 40	564	40	45	20		●	●			●	●	●	●	●	●	●	●	○	4	120	1200						

● = Standard
 ○ = Option, sold separately
¹⁾ Incl. PHR washer

RIMS MTB

Model		Dimension						Rim joint		Brake	Holes				Eyelets		Technical data				Accessories included										
Product name	Weight ± 5% [g]	Rim dimension	ERD [mm]	Rim inner width [mm]	Rim outer width [mm]	Rim height [mm]	Carbon	Welded	Sleeve joint	Pin joint	Disc brake	Rim brake	20 holes	24 holes	28 holes	32 holes	36 holes	None	Single	Double	Valve hole Presta SV ø 6.5 mm	Valve hole Schrader AV ø 8.5 mm	Tubeless ready with tape	ASTM classification	Recommended system weight max. [kg]	Max. spoke tension [N]	PHR washer	DT Squorx nipple	Valve adapter Schrader AV to Presta SV	Rim tape	
RIMS EX ENDURO	EX 471	26	475	559 x 25	537 ¹⁾	25	30	21	●						●	●		●			●	○	4	130	1200	●	●				
		27.5	500	584 x 25	562 ¹⁾	25	30	21	●		●					●	●		●			●	○	4	130	1200	●	●			
		29	530	622 x 25	600 ¹⁾	25	30	21	●		●					●	●		●			●	○	4	130	1200	●	●			
	EX 511	27.5	535	584 x 30	563 ¹⁾	30	35	21	●		●					●	●		●			●	○	4	130	1200	●	●			
		29	570	622 x 30	601 ¹⁾	30	35	21	●		●					●	●		●			●	○	4	130	1200	●	●			
	E 512	27.5	525	584 x 25	562	25	30	21		●	●								●		●	●	○	4	130	1200					
		29	560	622 x 25	600	25	30	21		●	●								●		●	●	○	4	130	1200					
	E 532	27.5	580	584 x 30	564	30	35	20		●	●								●		●	●	○	4	130	1200					
		29	615	622 x 30	602	30	35	20		●	●								●		●	●	○	4	130	1200					
533D	26	520	559 x 22	539	22	28	20.5			●	●							●		●	●	○	4	130	1200						
	27.5	540	584 x 22	564	22	28	20.5			●	●							●		●	●	○	4	130	1200						
	29	575	622 x 22	602	22	28	20.5			●	●							●		●	●	○	4	130	1200						
RIMS FR FREERIDE	FR 560	26	570	559 x 30	538	30	35	20	●		●				●	●		●		●	●	○	5	140	1200						
		27.5	595	584 x 30	563	30	35	20	●		●				●	●		●		●	●	○	5	140	1200						
		29	635	622 x 30	601	30	35	20	●		●				●	●		●		●	●	○	5	140	1200						
RIMS BR BIG RIDE	BR 710	26	675	559 x 76	549	76	81	16	●		●				●	●		●		●	●	○	3	130	1200					●	

- = Standard
- ◐ = Convertible with included accessories
- = Option, sold separately

¹⁾ Incl. PHR washer

RIMS HYBRID

Model		Dimension						Rim joint	Brake	Holes	Eyelets	Technical data	Accessories included																		
Product name	Weight ± 5% [g]	Rim dimension	ERD [mm]	Rim inner width [mm]	Rim outer width [mm]	Rim height [mm]	Carbon	Welded	Sleeve joint	Pin joint	Disc brake	Rim brake	20 holes	24 holes	28 holes	32 holes	36 holes	None	Single	Double	Valve hole Presta SV ø 6.5 mm	Valve hole Schrader AV ø 8.5 mm	Tubeless ready with tape	ASTM classification	Recommended system weight max. [kg]	Max. spoke tension [N]	PHR washer	DT Squorx nipple	Valve adapter Schrader AV to Presta SV	Rim tape	
RIMS HYBRID	HX 491	27.5	584 x 25	563 ¹⁾	25	30	21	●																4	150	1200	●	●			
		29	622 x 25	601 ¹⁾	25	30	21	●																	4	150	1200	●	●		
	HX 531	27.5	584 x 30	563 ¹⁾	30	35	21	●																	4	150	1200	●	●		
		29	590	622 x 30	601 ¹⁾	30	35	21	●																4	150	1200	●	●		
	HX 581	27.5	610	584 x 35	563 ¹⁾	35	40	21	●																4	150	1200	●	●		
	H 522	27.5	535	584 x 25	565	25	30	20		●	●									●					4	150	1200				
		29	570	622 x 25	603 ¹⁾	25	30	20		●	●									●					4	150	1200				
	H 552	27.5	580	584 x 30	564	30	35	20		●	●									●					4	150	1200				
		29	615	622 x 30	602	30	35	20		●	●									●					4	150	1200				
	H 612	27.5	635	584 x 35	564	35	40	20		●	●									●					4	150	1200				

● = Standard

¹⁾ Incl. PHR washer

HUBS 180 CARBON CERAMIC CLASSIC

Product name	Model	Weight ²⁾ ± 5% [g]		Hub axle system front												Hub axle system rear												Spoke holes				Disc mount	Free wheel body					Technical data								
		100	130	5/100 mm RWS / Quick release	9/100 mm DT Swiss Thru bolt	12/100 mm Thru axle	15/100 mm Thru axle	15/110 mm Thru axle PS ¹⁾	15/110 mm Thru axle Boost	20/110 mm Thru axle Boost	20/110 mm Thru axle	15/160 mm Thru axle Big Ride	Lefty	5/130 mm RWS / Quick release	5/135 mm RWS / Quick release	5/145 mm RWS / Quick release	5/170 mm RWS / Quick release	5/197 mm RWS / Quick release	10/135 mm DT Swiss Thru bolt	12/135 mm Thru axle	12/142 mm Thru axle	12/148 mm Thru axle Boost	12/150 mm Thru axle	12/170 mm Thru axle	12/177 mm Thru axle	12/190 mm Thru axle	12/197 mm Thru axle	bolt on	16 holes	18 holes	20 holes		24 holes	28 holes	32 holes	36 holes	40 holes	Center Lock	IS (6-bolt)	Shimano MTB (9/10/11) and Sram MTB (9/10)	Sram XD (11/12)	Shimano 12 MICRO SPLINE	Shimano Road 11 incl. washer for 10 speed	Campagnolo 9/10/11	Sram XDR	Spoke hole ø [mm]
NON DISC	Front	100	100	●																																								2.4	2.0	
	Rear	183	130										●																								○	○		●	○	○			2.4	2.0
		190	130										●																															2.4	2.0	
ROAD DB CENTER LOCK ³⁾	Front	105	100	○	○	○	●																																					2.5	2.0	
	Rear	202	142										○	○	●																														2.5	2.0
CENTER LOCK ³⁾	Front	108	100	●			○																																					2.5	2.0	
		105	100	○			●																																						2.5	2.0
	Rear	207	135										●																																2.5	2.0
		202	142										○	○	●																														2.5	2.0
	195	142										○	●																																2.5	2.0

- = Standard
- = Convertible with included accessories
- = Option, sold seperately

¹⁾ Predictive Steering for RS-1

²⁾ Weight without CL adapter, Quick release or Thru axle

³⁾ Including IS (6-bolt) adapter

HUBS 240S CLASSIC

Model				Hub axle system front											Hub axle system rear											Spoke holes				Disc mount	Free wheel body						Technical data																	
Product name		Weight ²⁾ ± 5% [g]	Built-in width [mm]	5/100 mm RWS / Quick release	9/100 mm DT Swiss Thru bolt	12/100 mm Thru axle	15/100 mm Thru axle	15/110 mm Thru axle PS ¹⁾	15/110 mm Thru axle Boost	20/110 mm Thru axle Boost	20/110 mm Thru axle	15/160 mm Thru axle Big Ride	Lefty	5/130 mm RWS / Quick release	5/135 mm RWS / Quick release	5/145 mm RWS / Quick release	5/170 mm RWS / Quick release	5/197 mm RWS / Quick release	10/135 mm DT Swiss Thru bolt	12/135 mm Thru axle	12/142 mm Thru axle	12/148 mm Thru axle Boost	12/150 mm Thru axle	12/170 mm Thru axle	12/177 mm Thru axle	12/190 mm Thru axle	12/197 mm Thru axle	bolt on	16 holes	18 holes	20 holes	24 holes	28 holes	32 holes	36 holes	40 holes	Center Lock	IS (6-bolt)	Shimano MTB (9/10/11) and Sram MTB (9/10)	Sram XD (11/12)	Shimano 12 MICRO SPLINE	Shimano Road 11 incl. washer for 10 speed	Campagnolo 9/10/11	Sram XDR	Spoke hole ø [mm]	Optimized for spoke ø [mm]								
				●	○	●	○	●	○	●	○	●	○	●	○	●	○	●	○	●	○	●	○	●	○	●	○	●	○	●	○	●	○	●	○	●	○	●	○	●	○	●	○	●	○	●	○	●	○	●	○			
NON DISC	Front	105	100	●																																												2.4	2.0					
	Rear	209	130											●																																		2.4	2.0					
ROAD DB CENTER LOCK	Front	126	100	●	○	●	●																																											2.5	2.0			
	Rear	228	142												●				○	○	●																													2.5	2.0			
CENTER LOCK	Front fifteen	130	100	●			○																																											2.5	2.0			
		126	100	○			●																																											2.5	2.0			
	Rear	233	135												●					○	○																															2.5	2.0	
		218	142												○					○	○	●																														2.5	2.0	
		228	142												○					○	○	●																														2.5	2.0	
BOOST CENTER LOCK	Front	129	110						●																																										2.5	2.0		
	Rear	232	148																				●																													2.5	2.0	
		222	148																				●																													2.5	2.0	
		232	148																				●																												2.5	2.0		
DB IS (6-BOLT)	Front	145	100	●																																															2.5	2.0		
		165	100	○			●																																												2.5	2.0		
	Front fifteen	165	110	○		○																																														2.5	2.0	
	Rear	244	135												●					○	○																																2.5	2.0
		240	142												○					○	○	●																															2.5	2.0
		230	142												○					○	○	●																															2.5	2.0
		275	150																					●																												2.5	2.0	
265	150																					●																												2.5	2.0			
HYBRID DB IS (6-BOLT)	Front	191	100	○	○	●																																												2.8	2.34			
	Rear	353	142												○					○	○	●																													2.8	2.34		

- = Standard
- = Convertible with included accessories
- = Option, sold separately

¹⁾ Predictive Steering for RS-1
²⁾ Weight without CL adapter, Quick release or Thru axle

HUBS 240S CLASSIC

Model		Hub axle system front				Hub axle system rear												Spoke holes				Disc mount	Free wheel body				Technical data																												
Product name		Weight ²⁾ ± 5% [g]	Built-in width [mm]	5/100 mm RWS / Quick release	9/100 mm DT Swiss Thru bolt	12/100 mm Thru axle	15/100 mm Thru axle	15/110 mm Thru axle PS ¹⁾	15/110 mm Thru axle Boost	20/110 mm Thru axle Boost	20/110 mm Thru axle	15/160 mm Thru axle Big Ride	Lefty	5/130 mm RWS / Quick release	5/135 mm RWS / Quick release	5/145 mm RWS / Quick release	5/170 mm RWS / Quick release	5/197 mm RWS / Quick release	10/135 mm DT Swiss Thru bolt	12/135 mm Thru axle	12/142 mm Thru axle	12/148 mm Thru axle Boost	12/150 mm Thru axle	12/170 mm Thru axle	12/177 mm Thru axle	12/190 mm Thru axle	12/197 mm Thru axle	bolt on	16 holes	18 holes	20 holes	24 holes	28 holes	32 holes	36 holes	40 holes	Center Lock	IS (6-bolt)	Shimano MTB (9/10/11) and Sram MTB (9/10)	Sram XD (11/12)	Shimano 12 MICRO SPLINE	Shimano Road 11 incl. washer for 10 speed	Campagnolo 9/10/11	Sram XDR	Spoke hole ø [mm]	Optimized for spoke ø [mm]									
		Weight ²⁾ ± 5% [g]	Built-in width [mm]	5/100 mm RWS / Quick release	9/100 mm DT Swiss Thru bolt	12/100 mm Thru axle	15/100 mm Thru axle	15/110 mm Thru axle PS ¹⁾	15/110 mm Thru axle Boost	20/110 mm Thru axle Boost	20/110 mm Thru axle	15/160 mm Thru axle Big Ride	Lefty	5/130 mm RWS / Quick release	5/135 mm RWS / Quick release	5/145 mm RWS / Quick release	5/170 mm RWS / Quick release	5/197 mm RWS / Quick release	10/135 mm DT Swiss Thru bolt	12/135 mm Thru axle	12/142 mm Thru axle	12/148 mm Thru axle Boost	12/150 mm Thru axle	12/170 mm Thru axle	12/177 mm Thru axle	12/190 mm Thru axle	12/197 mm Thru axle	bolt on	16 holes	18 holes	20 holes	24 holes	28 holes	32 holes	36 holes	40 holes	Center Lock	IS (6-bolt)	Shimano MTB (9/10/11) and Sram MTB (9/10)	Sram XD (11/12)	Shimano 12 MICRO SPLINE	Shimano Road 11 incl. washer for 10 speed	Campagnolo 9/10/11	Sram XDR	Spoke hole ø [mm]	Optimized for spoke ø [mm]									
BOOST IS (6-BOLT)	Front	147	110					●																																									2.5	2.0					
	Rear	244	148																			●																												2.5	2.0				
		138	148																			●																													2.5	2.0			
		244	148																			●																													2.5	2.0			
HYBRID BOOST IS (6-BOLT)	Front	198	110					●																																													2.8	2.34	
	Rear	357	148																			●																														2.8	2.34		
		350	148																			●																														2.8	2.34		
BOOST 20 MM IS (6-BOLT)	Front	189	110						●																																													2.5	2

- = Standard
 - = Convertible with included accessories
 - = Option, sold separately
- ¹⁾ Predictive Steering for RS-1
²⁾ Weight without CL adapter, Quick release or Thru axle

HUBS 240S STRAIGHTPULL

Model				Hub axle system front											Hub axle system rear											Spoke holes					Disc mount	Free wheel body						Technical data										
Product name		Weight ²⁾ ± 5% [g]	Built-in width [mm]	5/100 mm RWS / Quick release											5/130 mm RWS / Quick release											16 holes	18 holes	20 holes	24 holes	28 holes	32 holes	36 holes	40 holes	Center Lock	IS (6-bolt)	Shimano MTB (9/10/11) and Sram MTB (9/10)						Sram XD (11/12)	Shimano 12 MICRO SPLINE	Shimano Road 11 incl. washer for 10 speed	Campagnolo 9/10/11	Sram XDR	Spoke hole ø [mm]	Optimized for spoke ø [mm]
				9/100 mm DT Swiss Thru bolt	12/100 mm Thru axle	15/100 mm Thru axle	15/110 mm Thru axle PS ¹⁾	15/110 mm Thru axle Boost	20/110 mm Thru axle Boost	20/110 mm Thru axle	15/160 mm Thru axle Big Ride	Lefty	5/130 mm RWS / Quick release	5/135 mm RWS / Quick release	5/145 mm RWS / Quick release	5/170 mm RWS / Quick release	5/197 mm RWS / Quick release	10/135 mm DT Swiss Thru bolt	12/135 mm Thru axle	12/142 mm Thru axle	12/148 mm Thru axle Boost	12/150 mm Thru axle	12/170 mm Thru axle	12/177 mm Thru axle	12/190 mm Thru axle											12/197 mm Thru axle	bolt on	Shimano MTB (9/10/11) and Sram MTB (9/10)	Shimano MTB (9/10/11) and Sram MTB (9/10)	Sram XD (11/12)	Shimano 12 MICRO SPLINE							
NON DISC	Front	107	100	●																																				2.5	2.0							
	Rear	212	130																																				2.5	2.0								
ROAD DB CENTER LOCK	Front	126	100	○	○	●	●																																2.5	2.0								
	Rear	228	142																																				2.5	2.0								
CENTER LOCK	Front fifteen	122	100	●			○																																2.5	2.0								
		118	100	○			●																																2.5	2.0								
	Rear	231	135																																					2.5	2.0							
		227	142																																					2.5	2.0							
		216	142																																					2.5	2.0							
BOOST CENTER LOCK	Front	122	110																																				2.5	2.0								
	Rear	230	148																																				2.5	2.0								
DB IS (6-BOLT)	Front	130	100	●			○																																2.5	2.0								
		127	100	○			●																																2.5	2.0								
	Front PS	178	110				●																																2.5	2.0								
	Rear	237	135																																					2.5	2.0							
		232	142																																					2.5	2.0							
		222	142																																					2.5	2.0							
	276	150																																				2.5	2.0									
BOOST IS (6-BOLT)	Front	130	110																																				2.5	2.0								
	Rear	236	148																																				2.5	2.0								
		226	148																																				2.5	2.0								

- = Standard
- ◐ = Convertible with included accessories
- = Option, sold separately

¹⁾ Predictive Steering for RS-1

²⁾ Weight without CL adapter, Quick release or Thru axle

HUBS 350 CLASSIC

Model		Hub axle system front										Hub axle system rear										Spoke holes				Disc mount	Free wheel body					Technical data																				
Product name		Weight ²⁾ ± 5% [g]	Built-in width [mm]	5/100 mm RWS / Quick release	9/100 mm DT Swiss Thru bolt	12/100 mm Thru axle	15/100 mm Thru axle	15/110 mm Thru axle PS ¹⁾	15/110 mm Thru axle Boost	20/110 mm Thru axle Boost	20/110 mm Thru axle	15/160 mm Thru axle Big Ride	Lefty	5/130 mm RWS / Quick release	5/135 mm RWS / Quick release	5/145 mm RWS / Quick release	5/170 mm RWS / Quick release	5/197 mm RWS / Quick release	10/135 mm DT Swiss Thru bolt	12/135 mm Thru axle	12/142 mm Thru axle	12/148 mm Thru axle Boost	12/150 mm Thru axle	12/170 mm Thru axle	12/177 mm Thru axle	12/190 mm Thru axle	12/197 mm Thru axle	bolt on	16 holes	18 holes	20 holes	24 holes	28 holes	32 holes	36 holes	40 holes	Center Lock	IS (6-bolt)	Shimano MTB (9/10/11) and Sram MTB (9/10)	Sram XD (11/12)	Shimano 12 MICRO SPLINE	Shimano Road 11 incl. washer for 10 speed	Campagnolo 9/10/11	Sram XDR	Spoke hole ø [mm]	Optimized for spoke ø [mm]						
		Weight [g]	Width [mm]	•	•	•	•	•	•	•	•	•	•	•	•	•	•	•	•	•	•	•	•	•	•	•	•	•	•	•	•	•	•	•	•	•	•	•	•	•	•	•	•	•	•	•	•	•				
NON DISC	Front	149	100	•																																										2.6	2.0					
	Rear	265	130											•																																		2.6	2.0			
		252	130											•																																		2.6	2.0			
ROAD DB CENTER LOCK	Front	136	100	○	○	•	•																																									2.6	2.0			
	Rear	267	142												○					○	○	•																											2.6	2.0		
CENTER LOCK	Front	145	100	•			•																																										2.6	2.0		
	Rear	272	135												•					○	○																												2.6	2.0		
		267	142												○					○	•																													2.6	2.0	
		257	142												○					○	•																													2.6	2.0	
BOOST CENTER LOCK	Front	142	110						•																																									2.6	2.0	
	Rear	272	148																				•																										2.6	2.0		
DB IS (6-BOLT)	Front	194	100	•																																													2.6	2.0		
		172	100	○			•																																										2.6	2.0		
		239	110								•																																							2.6	2.0	
	Rear	305	135												•						○	○																													2.6	2.0
		300	142												○						○	•																												2.6	2.0	
		277	142												○						○	•																												2.6	2.0	
		344	150																					•																									2.6	2.0		
HYBRID DB IS (6-BOLT)	Front	200	100	○	○	•																																											2.8	2.34		
	Rear	286	142												○					○	•																											2.8	2.34			

- = Standard
- ◐ = Convertible with included accessories
- = Option, sold separately

¹⁾ Predictive Steering for RS-1
²⁾ Weight without CL adapter, Quick release or Thru axle

HUBS 350 STRAIGHTPULL

Model				Hub axle system front													Hub axle system rear													Spoke holes				Disc mount	Free wheel body						Technical data									
Product name		Weight ²⁾ ± 5% [g]	Built-in width [mm]	5/100 mm RWS / Quick release	9/100 mm DT Swiss Thru bolt	12/100 mm Thru axle	15/100 mm Thru axle	15/110 mm Thru axle PS ¹⁾	15/110 mm Thru axle Boost	20/110 mm Thru axle Boost	20/110 mm Thru axle	15/160 mm Thru axle Big Ride	Lefty	5/130 mm RWS / Quick release	5/135 mm RWS / Quick release	5/145 mm RWS / Quick release	5/170 mm RWS / Quick release	5/197 mm RWS / Quick release	10/135 mm DT Swiss Thru bolt	12/135 mm Thru axle	12/142 mm Thru axle	12/148 mm Thru axle Boost	12/150 mm Thru axle	12/170 mm Thru axle	12/177 mm Thru axle	12/190 mm Thru axle	12/197 mm Thru axle	bolt on	16 holes	18 holes	20 holes	24 holes	28 holes	32 holes	36 holes	40 holes	Center Lock	IS (6-bolt)	Shimano MTB (9/10/11) and Sram MTB (9/10)	Sram XD (11/12)	Shimano 12 MICRO SPLINE	Shimano Road 11 incl. washer for 10 speed	Campagnolo 9/10/11	Sram XDR	Spoke hole ø [mm]	Optimized for spoke ø [mm]				
		Front	Rear	•	○	●	○	○	○	○	○	○	○	○	○	○	○	○	○	○	○	○	○	○	○	○	○	○	○	○	○	○	○	○	○	○	○	○	○	○	○	○	○	○	○	○	○	○	○	
NON DISC	Front	110	100	●																																										2.5	2.0			
	Rear	264	130											●																																	2.5	2.0		
ROAD DB CENTER LOCK	Front	136	100	○	○	●	●																																									2.5	2.0	
	Rear	267	142												○				○	●	●																											2.5	2.0	
CENTER LOCK	Front	151	100	●																																											2.5	2.0		
		130	100	○		●																																								2.5	2.0			
	Rear	271	135												●					○	○																											2.5	2.0	
		243	142												○					○	●																											2.5	2.0	
		267	142												○					○	●																											2.5	2.0	
BOOST CENTER LOCK	Front	137	110					●																																								2.5	2.0	
		266	148																				●																							2.5	2.0			
	Rear	256	148																				●																								2.5	2.0		
DB IS (6-BOLT)	Front	151	100	●																																												2.5	2.0	
		137	100	○		●																																										2.5	2.0	
		239	110								●																																						2.5	2.0
	Rear	279	135												●					○	○																												2.5	2.0
		274	142												○					○	●																											2.5	2.0	
		252	142												○					○	●																											2.5	2.0	
BOOST IS (6-BOLT)	Front	145	110					●																																								2.5	2.0	
		273	148																				●																							2.5	2.0			
	Rear	263	148																				●																								2.5	2.0		

- = Standard
- = Convertible with included accessories
- = Option, sold separately

¹⁾ Predictive Steering for RS-1

²⁾ Weight without CL adapter, Quick release or Thru axle

HUBS ASSORTED

Model	Hub axle system front										Hub axle system rear										Spoke holes				Disc mount	Free wheel body						Technical data																				
	Product name	Weight ²⁾ ± 5% [g]	Built-in width [mm]	5/100 mm RWS / Quick release	9/100 mm DT Swiss Thru bolt	12/100 mm Thru axle	15/100 mm Thru axle	15/110 mm Thru axle PS ¹⁾	15/110 mm Thru axle Boost	20/110 mm Thru axle Boost	20/110 mm Thru axle	15/160 mm Thru axle Big Ride	Lefty	5/130 mm RWS / Quick release	5/135 mm RWS / Quick release	5/145 mm RWS / Quick release	5/170 mm RWS / Quick release	5/197 mm RWS / Quick release	10/135 mm DT Swiss Thru bolt	12/135 mm Thru axle	12/142 mm Thru axle	12/148 mm Thru axle Boost	12/150 mm Thru axle	12/170 mm Thru axle	12/177 mm Thru axle	12/190 mm Thru axle	12/197 mm Thru axle	bolt on	16 holes	18 holes	20 holes	24 holes	28 holes	32 holes	36 holes	40 holes	Center Lock	IS (6-bolt)	Shimano MTB (9/10/11) and Sram MTB (9/10)	Sram XD (11/12)	Shimano 12 MICRO SPLINE	Shimano Road 11 inc.L. washer for 10 speed	Campagnolo 9/10/11	Sram XDR	Spoke hole ø [mm]	Optimized for spoke ø [mm]						
240S LEFTY	Front ³⁾	124	Lefty									●																																						2.4	2.0	
240S SINGLE SPEED	Rear	243	142																		●																												2.5	2.0		
		308	135																											●																				2.5	2.0	
350 BIG RIDE CENTER LOCK	Front	174	150									●																																							2.6	2.0
	Rear	291	177															●						●	●																								2.6	2.0		
		281	177															●						●	●																									2.6	2.0	
		300	190																						●	●																								2.6	2.0	
		302	197																●																															2.6	2.0	
350 BIG RIDE IS (6-BOLT)	Front	215	150									●																																							2.6	2.0
	Rear	326	177															●						●	●																									2.6	2.0	
		316	177															●						●	●																									2.6	2.0	
		333	190																						●	●																								2.6	2.0	
		335	197																●																															2.6	2.0	
TRACK	Front	280	100																										●			●																	2.6	2.0		
	Rear	336	120																									●				●																2.6	2.0			
540 TANDEM	Front	242	100	●																																														2.8	2.34	
	Rear	477	135												●																																			2.8	2.34	
		510	145																																															2.8	2.34	

- = Standard
- = Convertible with included accessories
- = Option, sold separately

¹⁾ Predictive Steering for RS-1
²⁾ Weight without CL adapter, Quick release or Thru axle
³⁾ For Lefty 2.0 special Cannondale adapter is needed

RWS PLUG IN

Model		Weight ± 5% [g]	Hub axle system											Axle material			Lever material		Additional dimensions		
RWS type			5/100 mm RWS / Quick release	9/100 mm DT Swiss Thru bolt	12/100 mm Thru axle	15/100 mm Thru axle	15/110 mm Thru axle Boost	15/110 mm Thru axle PS ¹⁾	15/150 mm Thru axle	5/130 mm RWS / Quick release	5/135 mm RWS / Quick release	5/145 mm RWS / Quick release	10/135 mm DT Swiss Thru bolt	12/142 mm Thru axle	12/148 mm Thru axle	Titanium	Steel	Aluminum	Aluminum	Length incl. Thread	Thread length
PLUG IN RWS E-THRU ROAD AND MTB	RWS Plug In E-Thru Road 12/100 mm	58		●													●	●	121	13	12x1.5
	RWS Plug In E-Thru Road 12/100 mm, w/o lever	31		●													●	○	121	13	12x1.5
	RWS Plug In E-Thru Road 12/142 mm	67										●					●	●	163	13	12x1.5
PLUG IN RWS THRU AXLE ROAD AND MTB	RWS Plug In TA for DT Swiss 15 mm forks	71			●												●	●	143	15	15x1.5
	RWS Plug In TA for DT Swiss 15 mm forks, w/o lever	43			●												●	○	143	15	15x1.5
	RWS Plug In TA for DT Swiss 15 mm F 535 ONE	77				●											●	●	157	15	15x1.5
	RWS Plug In aluminum lever T10	32				●												●			
	RWS Plug In TA 12/142 mm	68										●					●	●	171	13	12x1.5
	RWS Plug In TA 12/142 mm	68										●					●	●	167.7	15	12x1
	RWS Plug In TA 12/142 mm, w/o lever	40										●					●	○	167.7	15	12x1
	RWS Plug In TA 12/142 mm for X-12	69										●					●	●	162.5	15	12x1
	RWS Plug In TA 12/142 mm for X-12, w/o lever	41										●					●	○	162.5	15	12x1
	RWS Plug In TA Boost	70											●				●	●	177	13	12x1.5
	RWS Plug In TA Boost for X-12	66											●				●	●	168.5	15	12x1
PLUG IN RWS LEVER	RWS Plug In Single aluminum lever	28															●		—	—	—

● = Standard
○ = Option, sold separately

¹⁾ Predictive Steering for RS-1

RWS COLLECTION

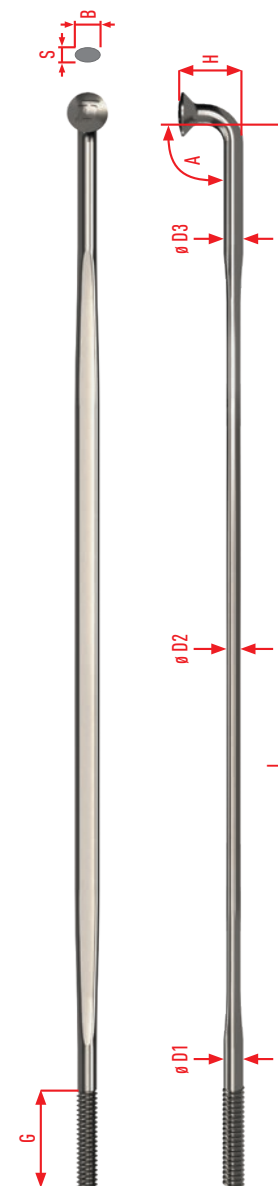
Model		Weight ± 5% [g]	Hub axle system										Axle material			Lever material		Additional dimensions				
RWS type			5/100 mm RWS / Quick release	9/100 mm DT Swiss Thru bolt	12/100 mm Thru axle	15/100 mm Thru axle	15/110 mm Thru axle Boost	15/110 mm Thru axle PS ¹⁾	15/150 mm Thru axle	5/130 mm RWS / Quick release	5/135 mm RWS / Quick release	5/145 mm RWS / Quick release	10/135 mm DT Swiss Thru bolt	12/142 mm Thru axle	12/148 mm Thru axle	Titanium	Steel	Aluminum	Aluminum	Length incl. Thread	Thread length	Thread
RWS THRU AXLE ROAD AND MTB	RWS TA DT Swiss forks	72			●													●	●	143.1	15	15 x 1.5
	RWS TA Predictive Steering ¹⁾	73				●												●	●	148	10	15 x 1.5
	RWS TA Big Ride	84						●										●	●	198	11	15 x 1.5
	RWS TA for X-12	65											●					●	●	162.5	15	12 x 1
	RWS TA 12/142 mm	64											●					●	●	167.7	15	12 x 1
	RWS TA Boost	66												●				●	●	178	12	12 x 1.5
	RWS TA Boost	66												●				●	●	173.7	15	12 x 1
	RWS TA Boost for X-12	67												●				●	●	168.5	15	12 x 1
RWS E-THRU + THRU BOLT ROAD AND MTB	RWS E-Thru Road	54		●														●	●	121	13	12 x 1.5
		63											●					●	●	163	13	12 x 1.5
	RWS E-Thru	71											●					●	●	171	11.5	12 x 1.5
	RWS Thru bolt	58		●														●	●	—	—	—
		70											●					●	●	—	—	—
RWS STEEL ROAD, MTB AND TANDEM	RWS steel	50	●														●	●	—	—	—	
		45							●								●	●	—	—	—	
		45								●							●	●	—	—	—	
		55									●						●	●	—	—	—	
RWS TITAN ROAD AND MTB	RWS titan	44	●												●			●	●	—	—	—
		45							●						●			●	●	—	—	—
		47								●					●			●	●	—	—	—

● = Standard

¹⁾ Predictive Steering for RS-1

SPOKES COLLECTION

Model	Thread (DIN 79012)	Length	Shape	Head	Diameters	Bladed	Angle	Gauges	Color	E-bike	
Product name	Weight ¹⁾ ± 5% [g]	1.8 mm FG 2.0 2.0 mm FG 2.3 2.34 mm FG 2.6 Length of thread 9 – 10 mm (G)	Range [mm] (L)	Double butted Triple butted Bladed	Height of head [mm] (H)	Diameter 1 [mm] (D1) Diameter 2 [mm] (D2) Diameter 3 [mm] (D3)	Width [mm] (B) Thickness [mm] (S)	90–95° (A)	Diameters	Silver Black White Red	Recommended for e-bike
DT CHAMPION®	359	●	140 – 315		6	1.8 1.8 1.8		●	15	●	
	444	●	140 – 315		6.2	2 2 2		●	14	● ●	
	591	● ●	140 – 315		7.8	2.34 2.34 2.34		●	13	● ●	●
DT CHAMPION® STRAIGHTPULL	440	● ●	140 – 315			2 2 2		●	14	● ●	●
DT COMPETITION®	311	●	238 – 300	●	6	1.8 1.6 1.8		●	15 16 15	●	
	382	●	238 – 300	●	6.2	2 1.8 2		●	14 15 14	● ● ● ●	●
DT COMPETITION® STRAIGHTPULL	378	●	238 – 307	●		2 1.8 2		●	14 15 14	● ●	●
DT COMPETITION® RACE	312	●	238 – 300	●	6.2	2 1.6 2		●	14 16 14	● ●	
DT COMPETITION® RACE STRAIGHTPULL	308	●	238 – 307	●		2 1.6 2		●	14 16 14	● ●	
DT SUPER COMP®	318	●	247 – 308	●	6.2	1.8 1.7 2		●		● ●	
DT REVOLUTION®	283	●	247 – 308	●	6.2	2 1.5 2		●	14 17 14	● ●	
DT ALPINE®	586	●	260 – 305	●	7.8	2 2.34 2.34		●	14 13	● ●	●
DT ALPINE III®	418	●	260 – 305	●	7.8	2 1.8 2.34		●	14 15 13	● ●	●
DT AEROLITE®	278	●	238 – 300	● ●	6.2	2 2 2.3	0.9	●		● ● ● ●	
DT AEROLITE® STRAIGHTPULL	274	●	238 – 307	● ●		2 2 2.3	0.9	●		● ● ● ●	
DT AERO SPEED®	355	●	215 – 305	●	6	1.8 1.8 2.3	1.2	●		● ●	
DT NEW AERO®	437	●	215 – 305	●	6.2	2 2 3.3	1.1	●		● ●	
DT AERO COMP®	380	●	238 – 300	● ●	6.2	2 2 2.3	1.2	●		● ●	●
DT AERO COMP® STRAIGHTPULL	376	●	238 – 307	● ●		2 2 2.3	1.2	●		● ●	●



● = Standard

¹⁾ Weight for 64 spokes, length 264 mm [g]

NIPPLES COLLECTION

Model	Thread (DIN 79012)			Length	Thread coating	Color											E-bike						
	Product name	Weight ¹⁾ ±5% [g]	1.8 mm FG 2.0			2.0 mm FG 2.3	2.34 mm FG 2.6	12 mm	14 mm	14.5 mm	15 mm	16 mm	DT Swiss Pro Lock®	Without DT Swiss Pro Lock®	Silver	Black		Grey	Gold	Green	Blue	Turquoise	Violet
DT (PRO LOCK®) SQUORX PRO HEAD® ALUMINUM	27	●							●	●	●	●											●
	26		●							●	●	●	●	●									●
DT (PRO LOCK®) SQUORX PRO HEAD® BRASS	79		●						●	●	●	●											●
DT (PRO LOCK®) PRO HEAD® BRASS	61	●		●					●	●	●	●											
	70	●			●				●	●	●	●											
	59		●		●				●	●	●	●											●
	68		●			●			●	●	●	●											●
	74		●			●			●	●	●	●											●
DT (PRO LOCK®) DOUBLE SQUARE ALUMINUM	27	●						●	●	●	●												
	26		●					●	●	●	●												
DT (PRO LOCK®) DOUBLE SQUARE BRASS	86	●						●	●	●	●												
	83		●					●	●	●	●												
DT (PRO LOCK®) HIDDEN ALUMINUM	22		●					●	●	●													
DT (PRO LOCK®) STANDARD ALUMINUM	21	●		●					●	●	●	●				●*	●*	●*	●*	●*	●*	●*	
	24	●			●				●	●	●	●											
	27	●						●	●	●	●	●											
	20		●		●				●	●	●	●				●*	●*	●*	●*	●*	●*	●*	
	23		●			●			●	●	●	●											
	26		●					●	●	●	●	●											
DT (PRO LOCK®) STANDARD BRASS	64	●		●					●	●	●	●											
	73	●			●				●	●	●	●											
	84	●						●	●	●	●	●											
	62		●		●				●	●	●	●											●
	71		●			●			●	●	●	●											●
	82		●					●	●	●	●	●											●
	56			●	●				●	●	●	●											●
	112			●			●		●	●	●	●											●

● = Standard

¹⁾ Weight for 64 nipples

* Only without DT Pro Lock®

END CAP SOLUTION ROAD FRONT

Endcap Solution			Convertible Road wheels						Convertible Road hubs				
		Kit Art. No.	1100 DICUT® db	1400 DICUT® db	1600 DICUT® db	1400 SPLINE® db	1600 SPLINE® db	1800 SPLINE® db	180 Classic Road db Center Lock black hub	240s straightpull Road db Center Lock	240s Classic Road db Center Lock	350 straightpull Road db Center Lock	350 Classic Road db Center Lock
Convert into 5 mm Quick release	5 / 100 mm Road disc brake (17 mm)	HWGXXX00S6318S	●		●				●				
	5 / 100 mm Road disc brake (17 mm) Aero	HWGXXX004774S	●										
	5 / 100 mm Road disc brake (240s)	HWGXXX002328S								●	●		
	5 / 100 mm Road disc brake (350 / 370)	HWGXXX00S3801S			●		●	●				○	○
Convert into 9 mm Thru bolt	9 / 100 mm Road disc brake (17 mm)	HWGXXX00S7567S		○		○			○				
	9 / 100 mm Road disc brake (240s 18 mm)	HWGXXX002326S								○	○		
	9 / 100 mm Road disc brake (350 / 370)	HWGXXX00S3803S			○							○	○
Convert into 12 mm Thru axle	12 / 100 mm Road disc brake (17 mm)	HWGXXX00S7564S	●		●				●				
	12 / 100 mm Road disc brake (240s)	HWGXXX00S7000S								●	●		
	12 / 100 mm Road disc brake (350 / 370)	HWGXXX00S6885S			●		●	●				○	○
Convert into 15 mm Thru axle	15 / 100 mm Road disc brake (17 mm)	HWGXXX00S6283S				●			●				
	15 / 100 mm Road disc brake (18 mm)	HWGXXX00S4468S								●	●		
	15 / 100 mm Road disc brake (350 / 370)	HWGXXX004785S			●		●	●				●	●

- = Standard
- = Convertible with included accessories
- = Option, sold separately

This information is valid for MY 2019. Information from previous modelyears please find on our workbook / techbook at www.dtswiss.com

END CAP SOLUTION ROAD REAR

Endcap Solution			Convertible Road wheels					Convertible Road hubs					
		Kit Art. No.	1100 DICUT® db	1400 DICUT® db	1600 DICUT® db	1400 SPLINE® db	1600 SPLINE® db	1800 SPLINE® db	180 Classic Road db Center Lock black hub	240s straightpull Road db Center Lock	240s Classic Road db CenterLock	350 straightpull Road db Center Lock	350 Classic Road db CenterLock
Convert into 5 mm Quick release	5 / 130 mm for 3-Pawl Sram XDR Rotor	HWGXXX00S5483S	○	○	○	○	○	○	○	○	○	○	○
	5 / 130 mm for Ratchet Sram XDR Rotor	HWGXXX00S5483S	○	○	○	○	○	○	○	○	○	○	○
	5 / 135 mm for 3-Pawl Sram XDR Rotor	HWGXXX00S5483S	○	○	○	○	○	○	○	○	○	○	○
	5 / 135 mm for 3-Pawl Shimano Road Rotor	HWGXXX0006383S						●					
	5 / 135 mm for Ratchet Sram XDR Rotor	HWGXXX00S5483S	○	○	○	○	○	○	○	○	○	○	○
	5 / 135 mm for Ratchet Shimano Road Rotor	HWGXXX0006383S	●	●	●	●	●			●		○	
	5 / 135 mm for Ratchet Shimano Road Rotor	HWGXXX0002777S							●		●		○
Convert into 10 mm Thru bolt	10 / 135 mm for 3-Pawl Shimano Road Rotor	HWGXXX0006560S						○					
	10 / 135 mm for Ratchet Shimano Road Rotor	HWGXXX0004634S							○		○		○
	10 / 135 mm for Ratchet Shimano Road Rotor	HWGXXX0006560S	○	○	○	○	○			○		○	
Convert into 12 mm Thru axle	12 / 135 mm for 3-Pawl Shimano Road Rotor	HWGXXX0007569S						○					
	12 / 135 mm for Ratchet Shimano Road Rotor	HWGXXX0003910S							○		○		○
	12 / 135 mm for Ratchet Shimano Road Rotor	HWGXXX0007569S	○	○	○	○	○			○		○	
	12 / 142 mm for 3-Pawl Shimano Road Rotor	HWGXXX0006333S						●					
	12 / 142 mm for Ratchet Shimano Road Rotor	HWGXXX0003525S							●		●		●
	12 / 142 mm for Ratchet Shimano Road Rotor	HWGXXX0006333S	●	●	●	●	●			●		●	
	12 / 142 mm for Ratchet Campagnolo Rotor	HWGXXX0004618S							○		○		○
12 / 142 mm for Ratchet Campagnolo Rotor	HWGXXX0004617S	○	○	○	○	○			○		○		

- = Standard
- = Convertible with included accessories
- = Option, sold separately

This information is valid for MY 2019. Information from previous modelyears please find on our workbook / techbook at www.dtswiss.com

END CAP SOLUTION MTB FRONT

Endcap Solution			Convertible MTB wheels										Convertible MTB hubs														
		Kit Art. No.	XRC 1200 SPLINE® (27.5, 29) 11	XR 1601 SPLINE® ONE (26, 27.5, 29) 11	X 1700 SPLINE® TWO (27.5, 29) 11	X 1900 SPLINE® (27.5, 29)	XMC 1200 SPLINE® (27.5, 29) 11	XM 1601 SPLINE® ONE (26, 27.5, 29) 11	M 1700 SPLINE® TWO (27.5, 29) 11	M 1900 SPLINE® (27.5, 29)	EX 1501 SPLINE® ONE (26, 27.5, 29)	E 1700 SPLINE® TWO (27.5, 29)	E 1900 SPLINE® (27.5, 29)	FR 1950 CLASSIC (27.5)	180 Classic MTB db Center Lock black hub	240s straightpull MTB db Center Lock	240s straightpull MTB db IS 11	240s straightpull MTB db IS oversize 11	240s Classic MTB db Center Lock fifteen	240s Classic MTB db IS	240s Classic MTB db IS oversize	350 straightpull MTB db Center Lock	350 straightpull MTB db IS	350 Classic MTB db Center Lock (15 mm)	350 Classic MTB db IS (15mm)	350 Classic MTB db Center Lock (5 mm)	350 Classic MTB db IS (5 mm)
Convert into 5 mm Quick release	5 / 100 mm MTB disc brake	not available																			●						
	5 / 100 mm MTB disc brake Center Lock (17 mm)	HWGXXX00S6318S	○	○			○	○			○				●												
	5 / 100 mm MTB disc brake fifteen	HWGXXX0002328S														●	●		○								
	5 / 100 mm MTB oversize	HWYXXX00S2479S												○				○									
	5 / 100 mm MTB (350 / 370)	HWGXXX00S3801S			○	●			○	●		○	●										○	○	○	○	●
Convert into 9 mm Thru bolt	9 / 100 mm MTB disc brake	HWGXXX0001919S																			○						
	9 / 100 mm MTB disc brake (17 mm)	HWGXXX00S7567S	○	○			○	○			○				○												
	9 / 100 mm MTB fifteen	HWGXXX0002326S														○	○		○								
	9 / 100 mm MTB oversize	HWGXXX0002478S												○				○			○						
	9 / 100 mm MTB (350 / 370)	HWGXXX00S3803S			○	○			○	○		○	○									○	○	○	○		
Convert into 15 mm Thru axle	15 / 100 mm MTB fifteen	HWGXXX00S4468S														●	●		●								
	15 / 100 mm MTB disc brake (17 mm)	HWGXXX00S6283S	●	●			●	●			●				●												
	15 / 100 mm MTB oversize	HWGXXX00S4470S												○				○			●						
	15 / 100 mm MTB disc brake (350 / 370)	HWGXXX0004785S			●	●			●	●		●	●									●	●	●	●		
Convert into 20 mm Thru axle	20 / 110 mm MTB oversize (240s)	HWYXXX00S2480S												●				●			●						
	20 / 110 mm Boost MTB oversize (240s)	HWYXXX00S9666S												●				●			●						

- = Standard
- = Convertible with included accessories
- = Option, sold separately

11 Except 15 / 110 mm TA PS

This information is valid for MY 2019. Information from previous modelyears please find on our workbook / techbook at www.dtswiss.com

END CAP SOLUTION MTB REAR

Endcap Solution		Convertible MTB wheels										Convertible MTB hubs															
	Kit Art. No.	XRC 1200 SPLINE® (27.5, 29)	XR 1501 SPLINE® ONE (26, 27.5, 29)	X 1700 SPLINE® TWO (27.5, 29)	X 1900 SPLINE® (27.5, 29)	XMC 1200 SPLINE® (27.5, 29)	XM 1501 SPLINE® ONE (26, 27.5, 29)	M 1700 SPLINE® TWO (27.5, 29)	M 1900 SPLINE® (27.5, 29)	EX 1501 SPLINE® ONE (26, 27.5, 29)	E 1700 SPLINE® TWO (27.5, 29)	E 1900 SPLINE® (27.5, 29)	FR 1950 CLASSIC (27.5, except 150 mm)	FR 1950 CLASSIC (27.5, 150 mm only)	BR 2250 CLASSIC (26)	180 Classic MTB db Center Lock	240s straightpull MTB db Center Lock	240s straightpull MTB db IS	240s Classic MTB db Center Lock	240s Classic MTB db IS	350 straightpull MTB db Center Lock	350 straightpull MTB db IS	350 Classic MTB db Center Lock Big Ride	350 Classic MTB db IS Big Ride	350 Classic MTB db Center Lock	350 Classic MTB db IS	
Convert into 5 mm Quick release	5 / 135 mm for 3-Pawl Shimano Rotor	HWGXXX0001528S			●				●		●																
	5 / 135 mm for 3-Pawl Sram XD MTB Rotor	HWGXXX00S3115S			○				○		○																
	5 / 135 mm for Ratchet Shimano Rotor	HWGXXX0001528S	○	●	●		○	●	●	●	●		○			●	●	●	●	●	●	●			●	●	
	5 / 135 mm for Ratchet Sram XD MTB Rotor	HWGXXX00S3115S	○	○	○		○	○	○	○	○		○			○	○	○	○	○	○	○	○			○	○
	5 / 190 mm Big Ride for Ratchet Shimano Rotor	HWGXXX0001528S													○									○	○		
	5 / 190 mm Big Ride for Ratchet Sram XD MTB Rotor	HWGXXX00S3115S													○									○	○		
Convert into 10 mm Thru bolt	10 / 135 mm for 3-Pawl Shimano Rotor	HWGXXX0001803S				○			○			○															
	10 / 135 mm for 3-Pawl Sram XD MTB Rotor	HWGXXX00S3218S				○			○			○															
	10 / 135 mm for Ratchet Shimano Rotor	HWGXXX0001803S	○	○	○		○	○	○	○	○		○			○	○	○	○	○	○	○			○	○	
	10 / 135 mm for Ratchet Sram XD MTB Rotor	HWGXXX00S3218S	○	○	○		○	○	○	○	○		○			○	○	○	○	○	○	○			○	○	
Convert into 12 mm Thru axle	12 / 135 mm for 3-Pawl Shimano Rotor	HWGXXX0002218S				○			○			○															
	12 / 135 mm for 3-Pawl Sram XD MTB Rotor	HWGXXX00S3382S				○			○			○															
	12 / 135 mm for Ratchet Shimano Rotor	HWGXXX0002218S	○	○	○		○	○	○	○	○		○			○	○	○	○	○	○	○			○	○	
	12 / 135 mm for Ratchet Sram XD MTB Rotor	HWGXXX00S3382S	○	○	○		○	○	○	○	○		○			○	○	○	○	○	○	○			○	○	
	12 / 142 mm for 3-Pawl Shimano Rotor	HWGXXX0002193C				●			●			●															
	12 / 142 mm for 3-Pawl Sram XD MTB Rotor	HWGXXX00S3188S				○			○			○															
	12 / 142 mm for Ratchet Shimano Rotor	HWGXXX0002193C	●	●	●		●	●	●	●	●		●			●	●	●	●	○	●	○			○	○	
	12 / 142 mm for Ratchet Sram XD MTB Rotor	HWGXXX00S3188S	●	○	○		●	○	○	○	○		○			●	●	●	●	○	●	○			○	○	
	12 / 150 mm for Ratchet Shimano Rotor	HWGXXX0002218S													●				○	○	○						
	12 / 150 mm for Ratchet Sram XD MTB Rotor	HWGXXX00S3382S													●				○	○	○						
	12 / 157 mm for Ratchet Shimano Rotor	HWGXXX0002193C													○				○	○	○					○	
	12 / 157 mm for Ratchet Sram XD MTB Rotor	HWGXXX00S3188S													○				○	○	○					○	
	12 / 190 mm for Ratchet Shimano Rotor	HWGXXX0002218S													○									●			
	12 / 190 mm for Ratchet Sram XD MTB Rotor	HWGXXX00S3382S													○									○			
	12 / 197 mm for Ratchet Shimano Rotor	HWGXXX0002193C													●									●			
12 / 197 mm for Ratchet Sram XD MTB Rotor	HWGXXX00S3188S													○									○				

- = Standard
- = Convertible with included accessories
- = Option, sold separately

This information is valid for MY 2019. Information from previous modelyears please find on our workbook / techbook at www.dtswiss.com

ROTOR KITS ROAD

	Model	Art. No.	Included		Convertible wheels								Convertible hubs				
			Rotor and end cap right	Rotor and end cap left and right	1100 DICUT® and 1100 DICUT® MC	1100 DICUT® db	1400 DICUT® and 1400 SPLINE®	1400 DICUT® and 1400 SPLINE® db	1600 DICUT® and 1600 SPLINE®	1600 DICUT® and 1600 SPLINE® db	1800 SPLINE®	1800 SPLINE® db	180 / 240 / 350 Road non disc	180 Road db Center Lock	240s straightpull Road db Center Lock	240s Road db Center Lock	350 straightpull Road db Center Lock
Convert into Shimano 11 speed; Ratchet	5 / 130 mm	HWYABX00S2775S	●		○		●	●				●					
	5 / 130 mm (SL rotor)	HWYABX00S3184S	●		●		○	○			○						
	5 / 135 mm	HWYABX00S2775S	●										○	○		○	
	5 / 135 mm	HWRABX00S2775S + HWGXX0006383S		●		○	○	○						○		○	○
	10 / 135 mm	HWRABX00S2775S + HWGXX0004634S		●									○		○		○
	10 / 135 mm	HWRABX00S2775S + HWGXX0006560S		●		○	○	○						○		○	○
	12 / 135 mm	HWRABX00S2775S + HWGXX0003910S		●									○		○		○
	12 / 135 mm	HWRABX00S2775S + HWGXX0007569S		●		○	○	○						○		○	○
	12 / 142 mm	HWRABX00S2775S + HWGXX0003525S		●									●		●		●
12 / 142 mm	HWRABX00S2775S + HWGXX0006333S		●		●		●		●				●		●		
Convert into Shimano 11 speed; 3 pawl	5 / 130 mm	HWYABM00S6151S	●							●							
	5 / 135 mm	HWYABM00S6151S	●								○						
	10 / 135 mm	HWRABM00S4188S + HWGXX0006560S	●								○						
	12 / 135 mm	HWRABM00S4188S + HWGXX0007569S	●								○						
	12 / 142 mm	HWYABM00S6152S	●								●						
Convert into Campagnolo 10 / 11 speed; Ratchet	5 / 130 mm	HWYABX00S1296S	●		○		○	○				○					
	12 / 142 mm	HWYABX00S7154S	●			○		○		○				○	○	○	○
Convert into Campagnolo 10 / 11 speed; 3 pawl	5 / 130 mm	HWYABM00S6234S	●							○							
	12 / 142 mm	HWYABM00S7153S	●								○						
Convert into Sram XDR; Ratchet	5 / 130 mm	HWYABX00S8883S	●		○		○	○				○					
	12 / 142 mm	HWYAX00S8888S	●			○		○		○			○	○		○	
Convert into Sram XDR; 3 pawl	5 / 130 mm	HWYABM00S5272S	●							○							
	12 / 142 mm	HWYAX00S0683S	●								○						

● = Standard
○ = Option, sold separately

Informations are valid for MY 2019.
For previous years please look on our techbook from previous years on www.dtswiss.com

ROTOR KITS MTB

Model		Included		Convertible wheels													Convertible hubs																	
	Art. No.	Freehub body	End cap right	XRC 1200 SPLINE®	XMC 1200 SPLINE®	XR 1501 SPLINE® ONE	XM 1501 SPLINE® ONE	EX 1501 SPLINE® ONE	X 1700 SPLINE® TWO	M 1700 SPLINE® TWO	E 1700 SPLINE® TWO	X 1900 SPLINE®	M 1900 SPLINE®	E 1900 SPLINE®	FR 1950 CLASSIC (except 150 mm)	FR 1950 CLASSIC (150 mm only)	BR 2250 CLASSIC	180 Classic Center Lock	240s straightpull Center Lock	240s straightpull IS (6-bolt)	240s Classic Center Lock	240s Classic db IS (6-bolt)	350 straightpull Center Lock	350 straightpull IS (6-bolt)	350 Classic Center Lock	350 Classic Center Lock Big Ride	350 Classic IS (6-bolt) Big Ride	350 Classic db IS (6-bolt)						
Convert into Sram XD 11 / 12; Ratchet	5 / 135 mm	HWYAA00S3115S	●	●	○	○	○	○	○	○	○				○			○	○	○	○	○	○	○	○	○	○	○	○	○				
	10 / 135 mm	HWYAA00S3218S	●	●	○	○	○	○	○	○	○				○			○	○	○	○	○	○	○	○	○	○	○	○	○				
	12 / 135 mm	HWYAA00S3382S	●	●	○	○	○	○	○	○	○				○			○	○	○	○	○	○	○	○	○	○	○	○	○	○			
	12 / 142 mm	HWYAA00S3188S	●	●	●	●	●	●	●	●	●				●			●	●	●	●	●	●	●	●	●	●	●	●	●	●			
	12 / 148 mm	HWYAA00S3188S	●	●	●	●	●	●	●	●	●				●			●	●	●	●	●	●	●	●	●	●	●	●	●	●	●		
	12 / 150 mm	HWYAA00S3382S	●	●												●				○	○											○		
	12 / 157 mm	HWYAA00S3188S	●	●												○				○	○											○		
	12 / 177 mm	HWYAA00S3188S	●	●																							○	○						
	12 / 190 mm	HWYAA00S3382S	●	●														●									○	○						
	12 / 197 mm	HWYAA00S3188S	●	●														●									○	○						
Convert into Sram XD 11 / 12; 3 pawl	5 / 135 mm	HWYAA00S3906S	●	●								○	○	○																				
	10 / 135 mm	HWYAA00S3907S	●	●								○	○	○																				
	12 / 135 mm	HWYAA00S3908S	●	●								○	○	○																				
	12 / 142 mm	HWYAA00S3909S	●	●								●	●	●																				
	12 / 148 mm	HWYAA00S3909S	●	●								●	●	●	●																			
	12 / 150 mm	HWYAA00S3908S	●	●								●	●	●	●																			

- = Standard
- = Convertible with included accessories
- = Option, sold separately

More information find on:
www.dtswiss.com

ROTOR KITS MTB

Model			Included		Convertible wheels											Convertible hubs																	
		Art. No.	Freehub body	End cap right	XRC 1200 SPLINE®	XMC 1200 SPLINE®	XR 1501 SPLINE® ONE	XM 1501 SPLINE® ONE	EX 1501 SPLINE® ONE	X 1700 SPLINE® TWO	M 1700 SPLINE® TWO	E 1700 SPLINE® TWO	X 1900 SPLINE®	M 1900 SPLINE®	E 1900 SPLINE®	FR 1950 CLASSIC (except 150 mm)	FR 1950 CLASSIC (150 mm only)	BR 2250 CLASSIC	180 Classic Center Lock	240s straightpull Center Lock	240s straightpull IS (6-bolt)	240s Classic Center Lock	240s Classic db IS (6-bolt)	350 straightpull Center Lock	350 straightpull IS (6-bolt)	350 Classic Center Lock	350 Classic Center Lock Big Ride	350 Classic db IS (6-bolt)					
Convert into Shimano MTB 9 / 10 / 11; Ratchet	5 / 135 mm	HWYABX00S1239S	●	●	○	○	○	○	○	○	○	○				○			○	○	○	○	○	○	○	○	○	○	○	○			
	10 / 135 mm	HWYABX00S0897S	●	●	○	○	○	○	○	○	○	○				○			○	○	○	○	○	○	○	○	○	○	○	○			
	12 / 135 mm	HWYABX00S3746S	●	●	○	○	○	○	○	○	○	○				○			○	○	○	○	○	○	○	○	○	○	○	○	○		
	12 / 142 mm	HWYABX00S3745S	●	●	●	●	●	●	●	●	●	●				●			○	○	○	○	○	○	○	○	○	○	○	○	○		
	12 / 148 mm	HWYABX00S3745S	●	●	●	●	●	●	●	●	●	●				●																○	
	12 / 150 mm	HWYABX00S3746S	●	●													●					○										○	
	12 / 157 mm	HWYABM00S6150S	●	●													●					○										○	
	12 / 177 mm	HWYABX00S3745S	●	●																												○	
	12 / 190 mm	HWYABX00S3746S	●	●																												○	
12 / 197 mm	HWYABX00S3745S	●	●																												○		
Convert into Shimano MTB 9 / 10 / 11; 3 pawl	5 / 135 mm	HWYABM00S6147S	●	●									○	○	○																		
	10 / 135 mm	HWYABM00S6148S	●	●									○	○	○																		
	12 / 135 mm	HWYABM00S6149S	●	●									○	○	○																		
	12 / 142 mm	HWYABM00S6150S	●	●									●	●	●																		
	12 / 150 mm	HWYABM00S6149S	●	●									○	○	○	●																	

● = Standard
○ = Option, sold separately

More information find on:
www.dtswiss.com

ROTOR KITS HYBRID

Model	Art. No.	Included		Convertible wheels				Convertible hubs	
		Freehub body	End cap right	HXC 1200 SPLINE®	HX 1501 SPLINE® ONE	H 1700 SPLINE® TWO	H 1900 SPLINE®	240s Classic HYBRID db IS (6-bolt)	350 Classic HYBRID db IS (6-bolt)
Convert into Sram XD 11 / 12; Ratchet; 12 / 148 mm TA	HWYAA00S5036S	●		○	○	○		○	○
Convert into Sram XD 11 / 12; 3 pawl; 12 / 148 mm TA	HWYABM00S5573S	●					○		
Convert into Shimano 11 speed; Ratchet; 12 / 148 mm TA	HWYABX00S5569S	●		●	●	●		●	●
Convert into Shimano 11 speed; 3 pawl; 12 / 148 mm TA	HWYABM00S5571S	●					●		

- = Standard
- = Convertible
with included accessories

More information find on:
www.dtswiss.com